

POWERTEC.

SAFETY SWITCHES

2023 PRODUCT CATALOG



TABLE OF CONTENTS

Safety Locking Switch

71649	Safety Locking Switch	04
71390	Paddle Switch	04
71006	Safety Locking Switch	04
YSWT001	Switch	04

On-OFF Stop Paddle Switch

71008	Single Phase On/Off Switch	06
71652	On/Off Switch with Gang Box Installation Hardware Kit	06
71007	Paddle Switch	06
71651	Paddle Switch with Gang Box Installation Hardware Kit.....	06

Rocker Switch

71672	Safety Paddle Switch	08
71617	Rocker Power Switch Replacement	08
71353	Safety Toggle Switch.....	08

Paddle Switch with Cords

71754	Safety Power Tool Paddle Switch w/Heavy Duty Cords.....	10
71755	On/Off Magnetic Paddle Switch w/Standard Cords.....	10

Magnetic Paddle Switch

71355	120V Magnetic On-Off Switch.....	12
71577	230V Magnetic Paddle Switch.....	12
71054	120V Magnetic Paddle Switch.....	13
71354	120V Magnetic Switch	13

Magnetic Switch Box with Cords

71739	3-Phase Magnetic Switch Box.....	14
71740	Single-Phase Magnetic Switch Box	14

Switch Accessories

71834	Deep Switch Box w/ Hardware Set	16
-------	---------------------------------------	----



71649
Safety Locking Switch



71390
Paddle Switch




71006
Safety Locking Switch

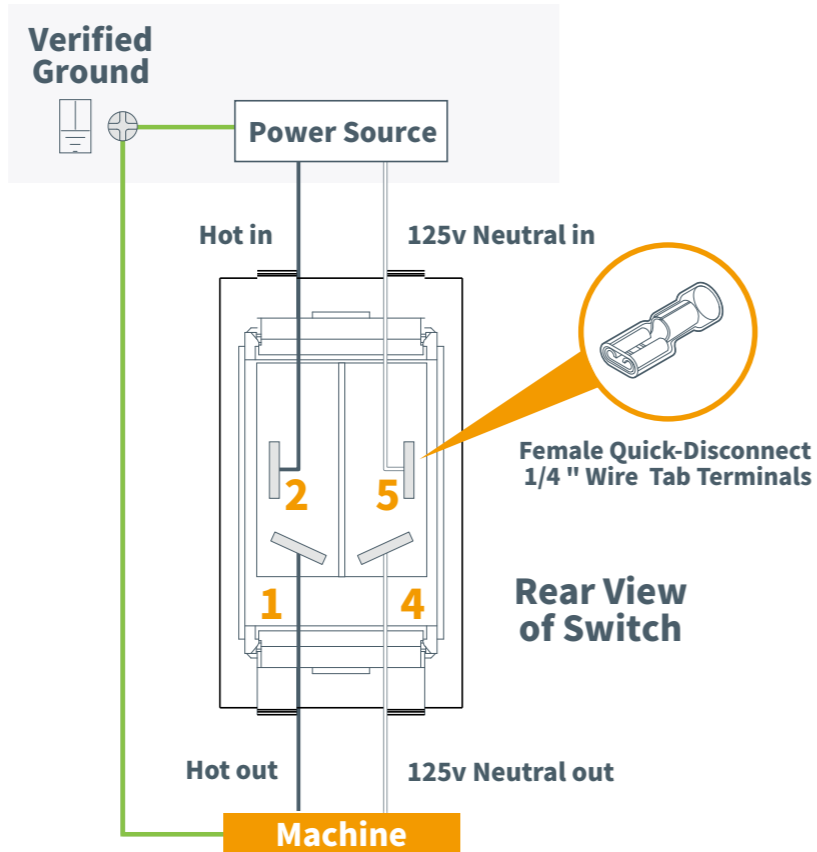


YSWT001
Switch

71390 Product Details

Voltage Range	120V / 230V
120v Contact Current	16A
230v Contact Current	9A
Connecting Wires	120V: 2mm (AWG#14) 230V: 1.25~1.6mm (AWG#16)
Ground Conductor	120V: 1.5~2mm (AWG#14) 230V: 1.25~1.6mm (AWG#16)
General Applicable Load	120V: 16A / 1,900W 230V: 9A / 1,900W
Motor Type Applicable Load	120V: 1HP 230V: 1HP
Operation Method	Manual ON/OFF
Electrode Type	2a / 4P
Electrode Connection	1/4" x 4 

71390 Wiring Diagram



Commonly Used for

- Table Saws
- Router Tables
- Drill Press
- Band Saws
- Oscillating Spindle Sanders
- Dust Collectors

Safety Locking Switch

On-Off Stop Paddle Switch

Rocker Switch

Paddle Switch with Cords

Magnetic Paddle Switch

Switch Accessories



71008
Single Phase On/Off Switch



71652
On/Off Switch with Gang Box Installation Hardware Kit




71007
Paddle Switch

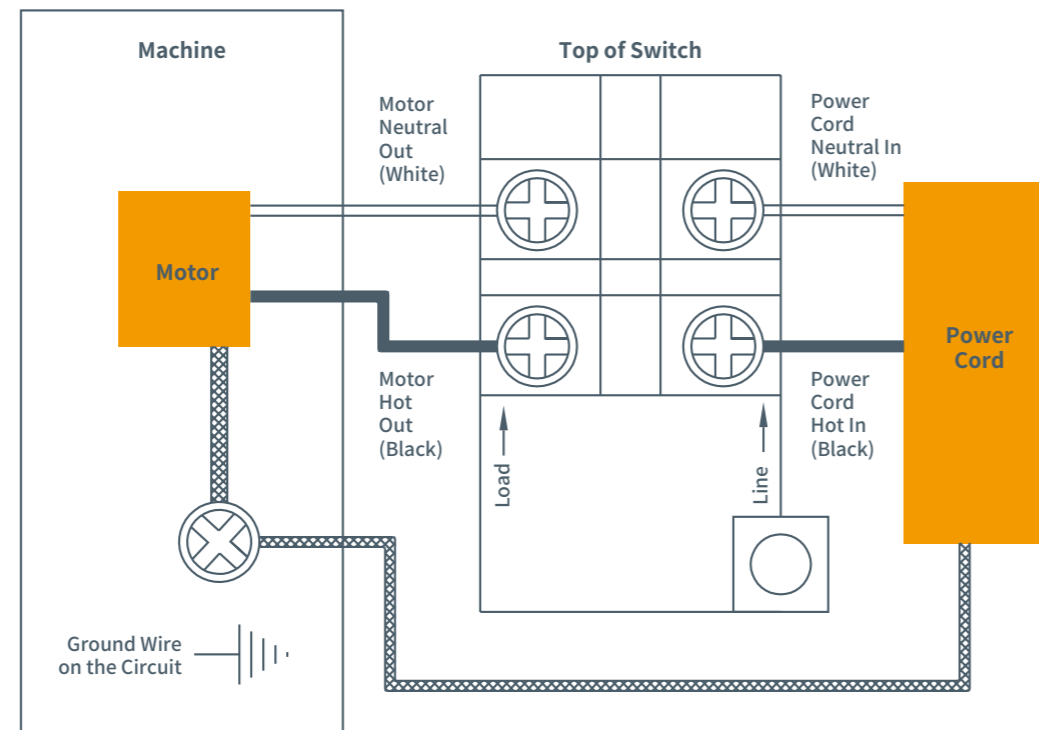


71651
Paddle Switch with Gang Box Installation Hardware Kit

71007 Product Details

Voltage Range	120V / 230V
120v Contact Current	28A
230v Contact Current	16A
Connecting Wires	120V: 2mm (AWG#14) 230V: 1.25~1.6mm (AWG#16)
Ground Conductor	120V: 1.5~2mm (AWG#14) 230V: 1.25~1.6mm (AWG#16)
General Applicable Load	120V: 28A / 1,900W 230V: 16A / 1,900W
Motor Type Applicable Load	120V: 2HP 230V: 3HP
Operation Method	Manual ON/OFF
Electrode Type	2c / 6P
Electrode Connection	Type Y 14~16AWG(US#8) × 4 

71007 Wiring Diagram



Commonly Used for

- Table Saws
- Sanders and Jointers
- Drill Press
- Dust Collection Systems
- Band Saws



Safety Locking Switch

On-Off Stop Paddle Switch

Rocker Switch

Paddle Switch with Cords

Magnetic Paddle Switch

Switch Accessories



71672
Safety Paddle Switch

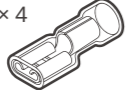
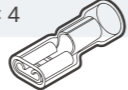
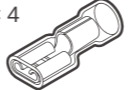


71617
Rocker Power Switch Replacement



71353
Safety Toggle Switch

Product Details

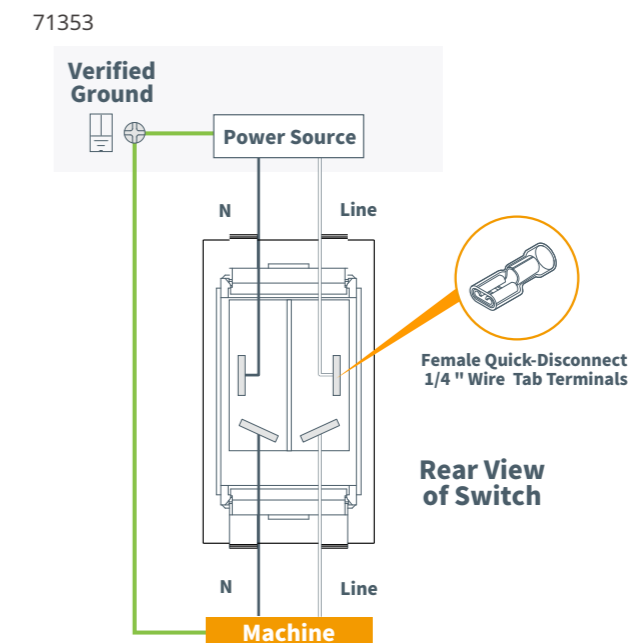
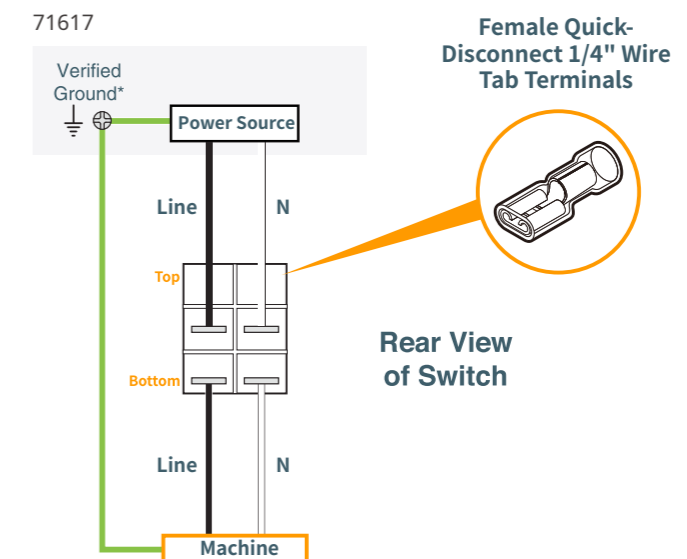
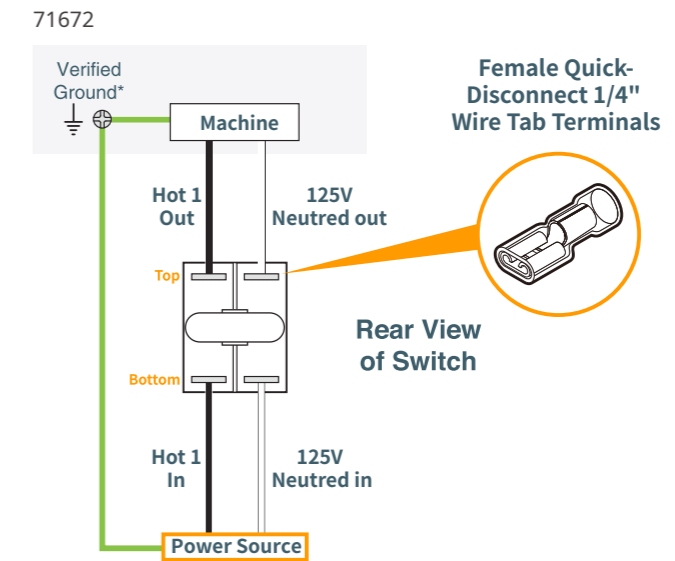
SKU	71672	71617	71353
Voltage Range	120V / 230V	120V	120V / 230V
120v Contact Current	20A	16A	20A
230v Contact Current	12A		12A
Connecting Wires	120V: 2mm (AWG#14) 230V: 1.25~1.6mm (AWG#16)	120V: 1.5mm (AWG#16)	120V: 2mm (AWG#14) 230V: 1.25~1.6mm (AWG#16)
Ground Conductor	120V: 1.5~2mm (AWG#14) 230V: 1.25~1.6mm (AWG#16)	1.5mm (AWG#16)	120V: 1.5~2mm (AWG#14) 230V: 1.25~1.6mm (AWG#16)
General Applicable Load	120V: 16A / 1,900W 230V: 9A / 1,900W	120V: 12.8A / 1,536W	120V: 16A / 1,900W 230V: 9.6A / 1,900W
Motor Type Applicable Load	120V: 1HP 230V: 1HP		120V: 2HP 230V: 2HP
Operation Method	Manual ON/OFF	Manual ON/OFF	Manual ON/OFF
Electrode Type	2a / 4P	2a / 4P	2a / 4P
Electrode Connection	1/4" x 4 	1/4" x 4 	1/4" x 4 

Commonly Used for

Suitable for single-phase 120V / 230V small machines



Wiring Diagram



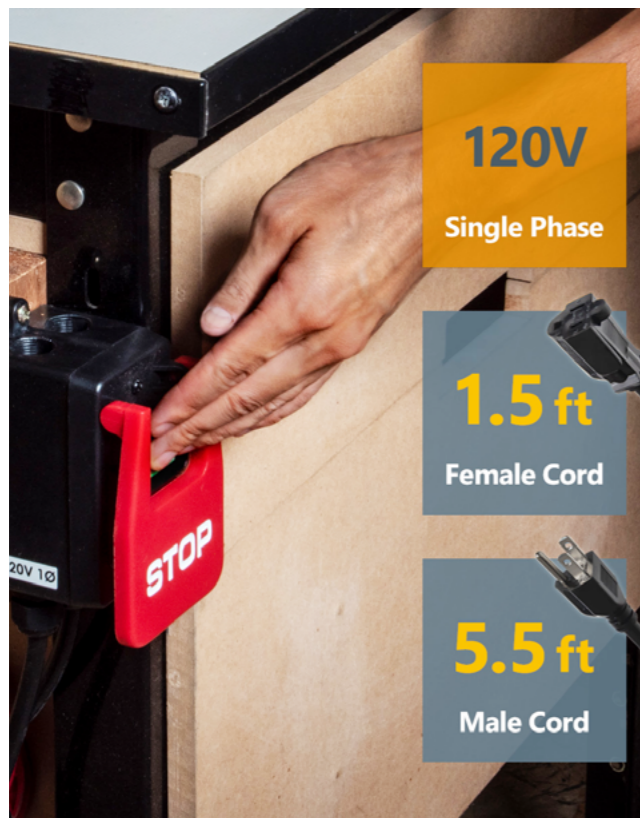


71754 Safety Power Tool Paddle Switch w/ Heavy Duty Cords

71755 On/Off Magnetic Paddle Switch w/ Standard Cords

Product Details

SKU	71754	71755
Operation Mode	ON-OFF	ON-OFF
Current Rating	15 Amps	9 Amps
Operating Voltage	120V	120V
Connector Type	Plug In	Plug In
Item Dimensions LxWxH	9 x 5.2 x 4 inches	9.9 x 5.2 x 4 inches
International Protection Rating	240V	120V
Control Method	Voice	Voice
Connectivity Protocol	X-10	X-10



120V
Single Phase

1.5 ft
Female Cord

5.5 ft
Male Cord



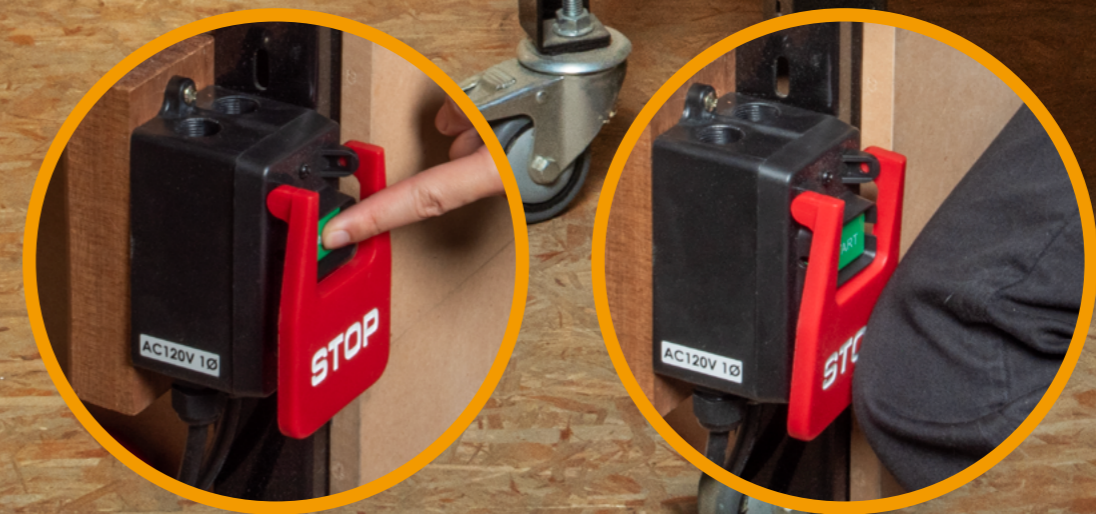
120V
Single Phase

1.5 ft
Female Cord

5.5 ft
Male Cord

COMMONLY USED WITH

- ✓ Routers
- ✓ Table Saws
- ✓ Band Saws
- ✓ Drill Press



Safety Locking Switch

On-Off Stop Paddle Switch

Rocker Switch

Paddle Switch with Cords

Magnetic Paddle Switch

Switch Accessories



71355
120V Magnetic On-Off Switch



71577
230V Magnetic Paddle Switch



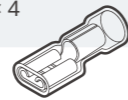
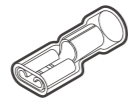
71054
120V Magnetic Paddle Switch



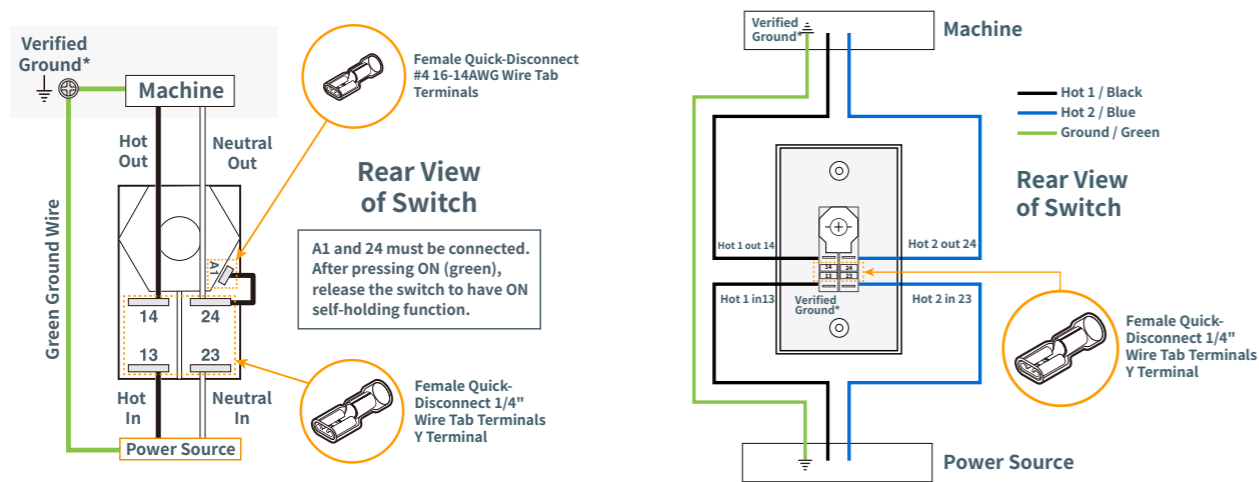
71354
120V Magnetic Switch

Product Details

SKU	71355	71577
Voltage Range	120V	230V
120v Contact Current	9A	
230v Contact Current		11A
Connecting Wires	120V: 1.5mm (AWG#16)	240V: 1.5mm (AWG#16)
Ground Conductor	1.5mm (AWG#16)	1.5mm (AWG#16)
General Applicable Load	120V: 9A / 1,900W	230V: 12.8A / 2,944W
Motor Type Applicable Load		230V: 1-1/2HP
Operation Method	Manual ON/OFF (Self-preserving magnetic circuit)	Manual ON/OFF (Self-preserving magnetic circuit)
Electrode Type	2a / 5P	2a / 4P
Electrode Connection	1/4" x 4 #4 (14-16) x 1	1/4" x 4



Wiring Diagram

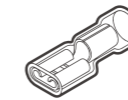


71355

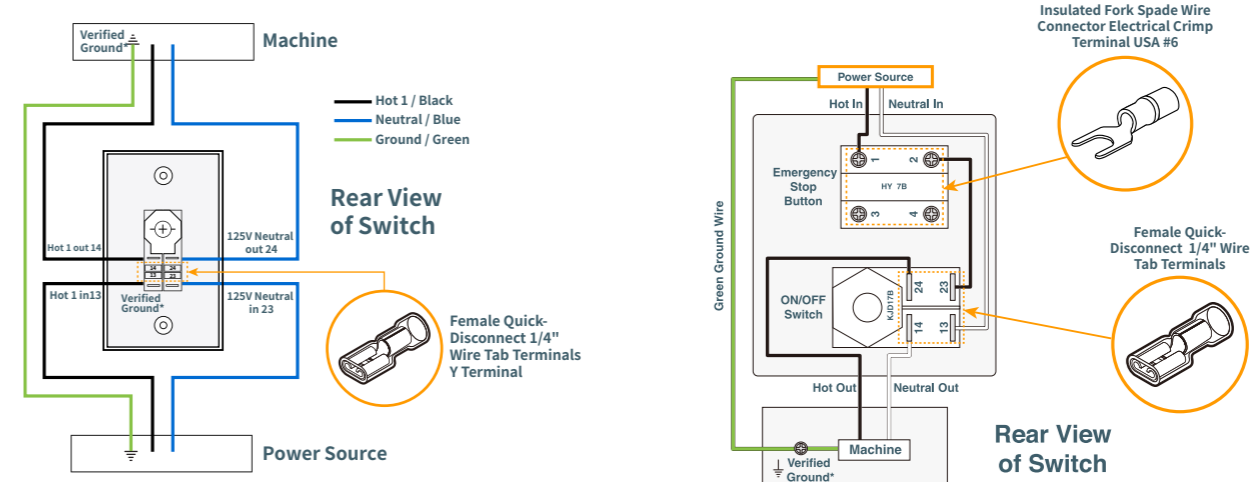
71577

Product Details

SKU	71054	71354
Voltage Range	120V	120V
120v Contact Current	9A	9A
230v Contact Current		
Connecting Wires	120V: 1.5mm (AWG#16)	120V: 1.5mm (AWG#16)
Ground Conductor	1.5mm (AWG#14)	1.5mm (AWG#16)
General Applicable Load	120V: 12.8A / 1,536W	120V: 9.6A / 1,200W
Motor Type Applicable Load	120V: 1/2HP	120V: 1/2HP
Operation Method	Manual ON/OFF (Self-preserving magnetic circuit)	Manual ON/OFF (Self-preserving magnetic circuit)
Electrode Type	2a / 4P	
Electrode Connection	1/4" x 4	



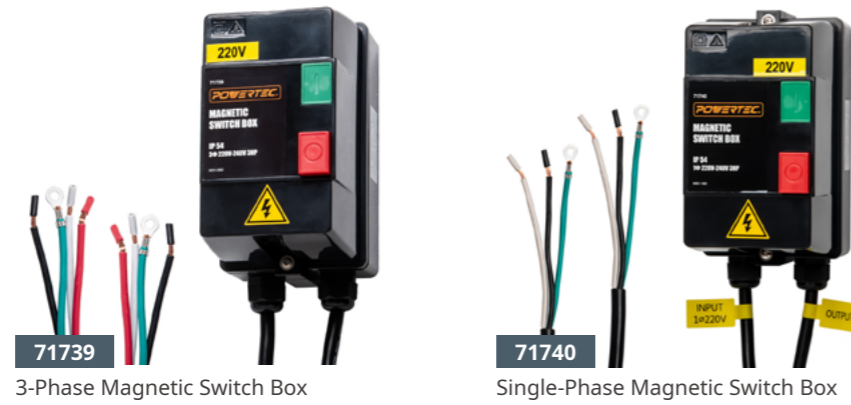
Wiring Diagram



71054

71354

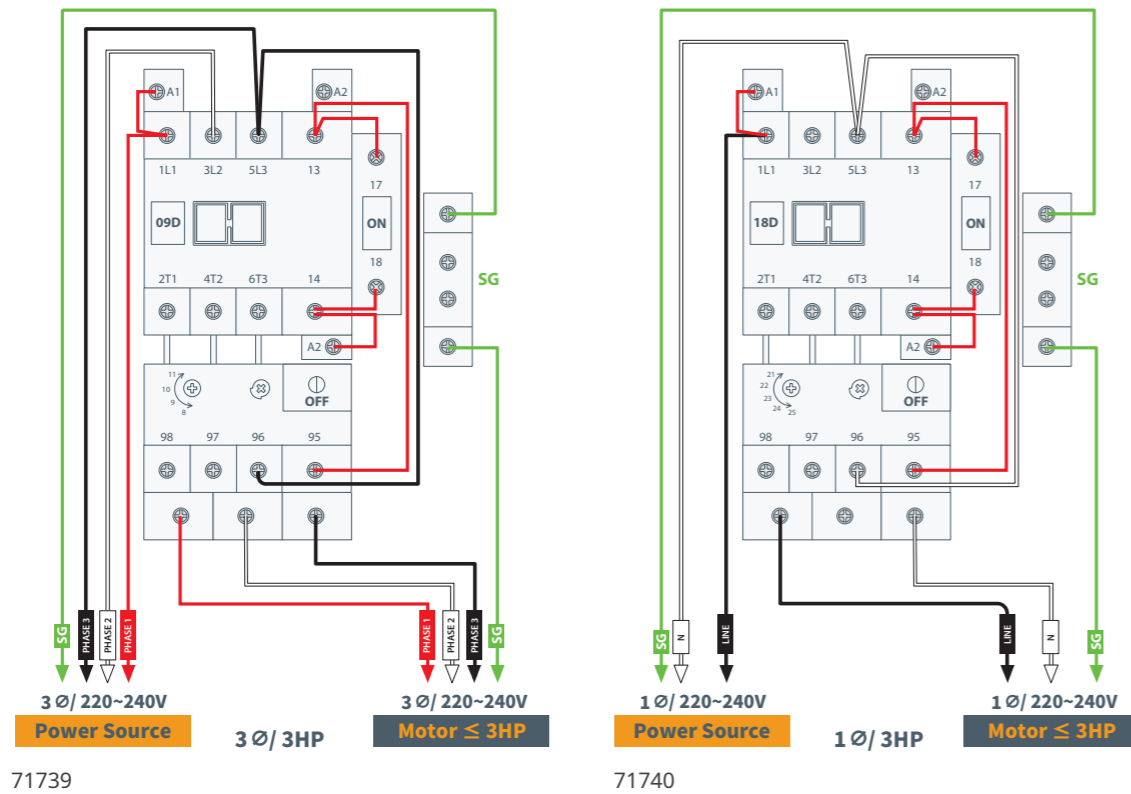
Magnetic Switch Box with Cords



Product Details

SKU	71739	71740
Voltage Range	220-240V	220-240V
230v Contact Current	8-12A	21-25A
Connecting Wires	AWG14×4C	AWG14×3C
General Applicable Load	230V: 3,680W	230V: 3,680W
Motor Type Applicable Load	220V: 3HP	220V: 3HP
Operation Method	Manual ON/OFF (Self-preserving magnetic circuit)	Manual ON/OFF (Self-preserving magnetic circuit)

Wiring Diagram



Safety Locking Switch

On-Off Stop Paddle Switch

Rocker Switch

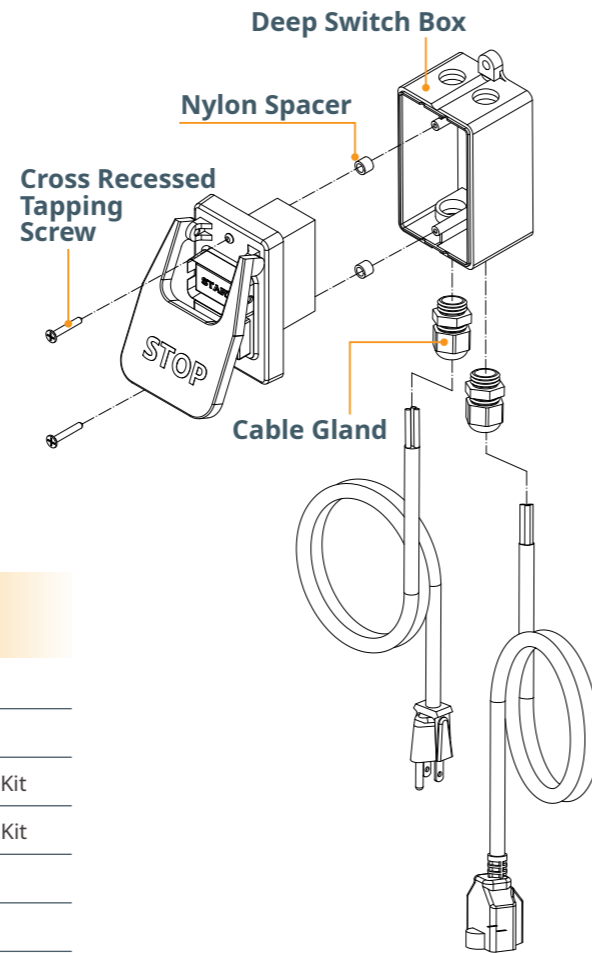
Paddle Switch with Cords

Magnetic Paddle Switch

Switch Accessories



71834
Deep Switch Box w/ Hardware Set



Compatible with

71007	Paddle Switch
71008	Single Phase On/Off Switch
71651	Paddle Switch with Gang Box Installation Hardware Kit
71652	On/Off Switch with Gang Box Installation Hardware Kit
71054	120V Magnetic Paddle Switch
71577	230V Magnetic Paddle Switch



71007
Paddle Switch



71008
Single Phase On/Off Switch



71054
120V Magnetic Paddle Switch



71651
Paddle Switch with Gang Box Installation Hardware Kit



71652
On/Off Switch with Gang Box Installation Hardware Kit



71577
230V Magnetic Paddle Switch



This Deep Switch Box is a compact and durable solution for mounting compatible switches to power tools or other electrical devices.

