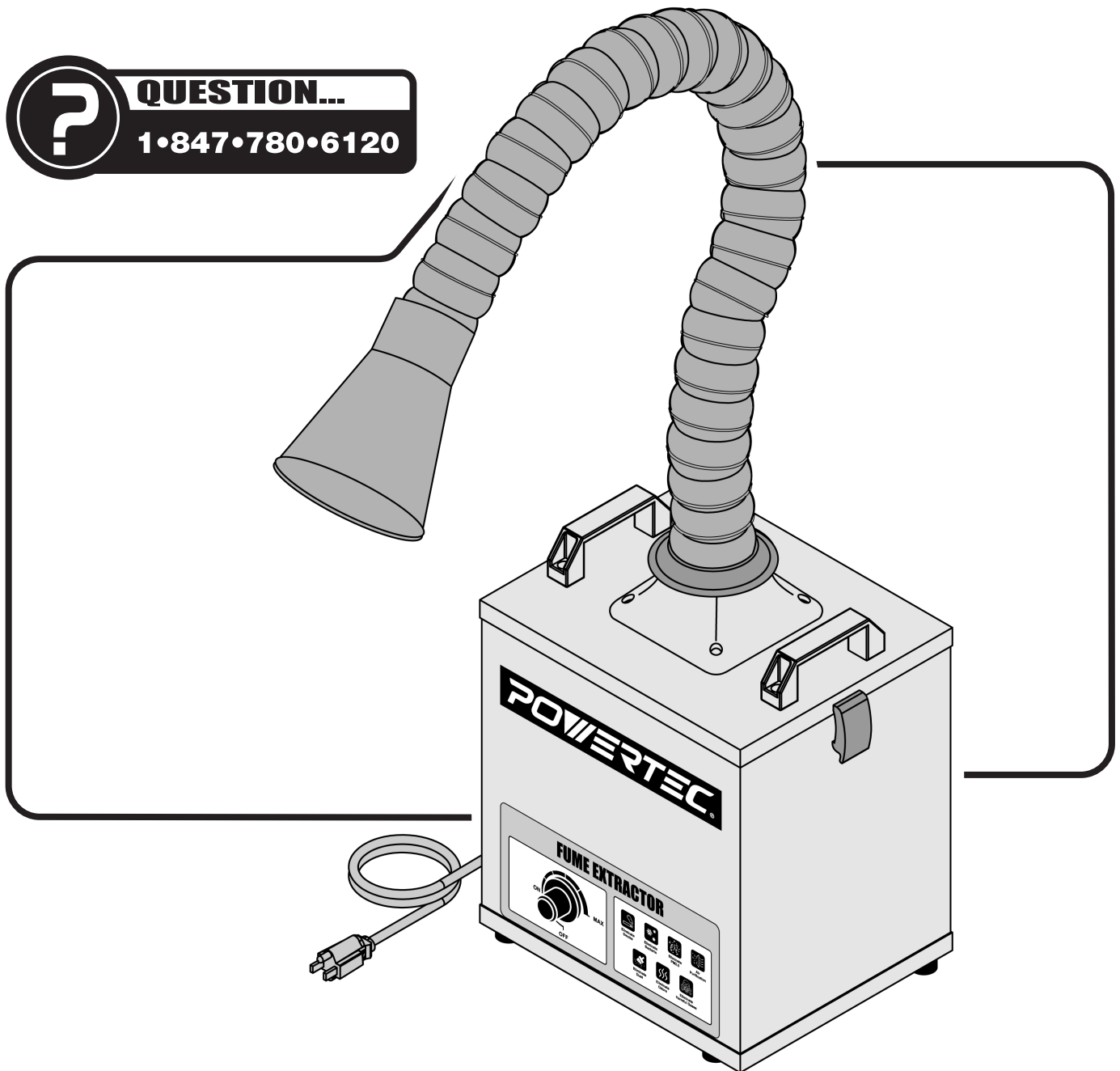


Owner's Manual

POWERTEC

Fume Extractor



Visit us on the web at www.powertecproducts.com



You will need this manual for safety instructions, operating procedures, and warranty. Put it and the original sales invoice in a safe, dry place for future reference.

TABLE OF CONTENTS

SECTION PAGE



SAFETY RULES / WARNINGS 3-4



CONTENTS 4



ASSEMBLY 5



OPERATION 5



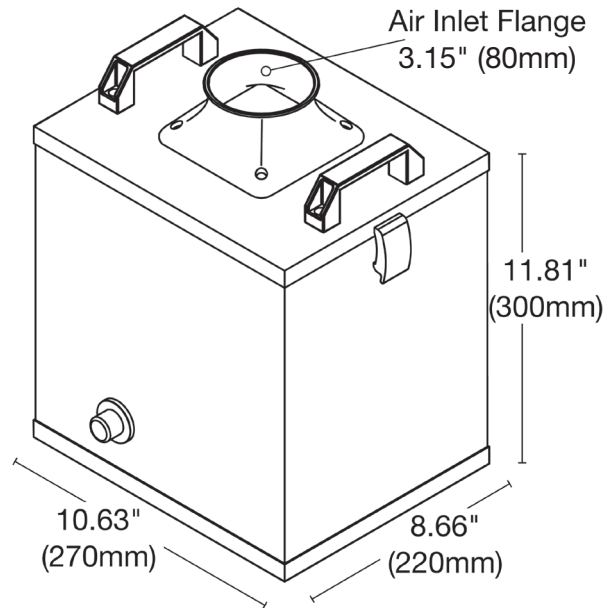
MAINTENANCE 6-7



WARRANTY 8

PRODUCT SPECIFICATIONS

Model FE1380
 Air Inlet Interface Φ 3.15" (80mm) Flange
 Input Voltage.....AC120V
 Maximum Power..... 120W
 Filtering Efficiency 0.3 μ m 99.97%
 Noise..... <70.dB
 Suction Power/Systemic Flow..... 138 CFM (235m³/h)
 Dimensions of Main Unit L10.63" x W8.66" x H11.81"
 Weight..... 17.64 lbs (8.0 kgs)

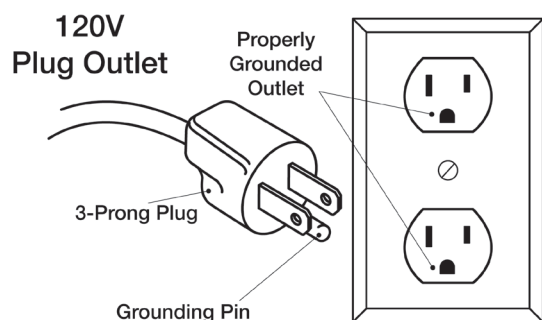


POWER SOURCE GROUNDING INSTRUCTIONS

WARNING

Improper connection of equipment grounding conductor can result in the risk of electrical shock. Equipment should be grounded while in use to protect operator from electrical shock.

- Check with a qualified electrician if you do not understand grounding instructions or if you are in doubt as to whether the tool is properly grounded.
- This tool is equipped with an approved cord rated at 120V and a 3-prong grounding type plug for your protection against shock hazards.
- Grounding plug should be plugged directly into a properly installed and grounded 3-prong grounding type receptacle, as shown.



- Do not remove or alter grounding prong in any manner. In the event of a malfunction or breakdown, grounding provides a path of least resistance for electrical shock.

 **WARNING**

For your own safety, read and understand all warnings and operating instructions before using any tool or equipment.

 **WARNING**

Some dust created by power sanding, sawing, grinding, drilling and other construction activities can expose you to chemicals known to the State of California to cause cancer, birth defects or other reproductive harm.

Some examples of these chemicals are:

- Lead from lead-based paints.
- Crystalline silica from bricks and cement and other masonry products.
- Arsenic and chromium from chemically-treated lumber.

Your risk from these exposures varies, depending on how often you do this type of work. To reduce your exposure to these chemicals: work in a well ventilated area and work with approved safety equipment. Always wear OSHA/NIOSH approved, properly fitting face mask or respirator when using such tools.

 **WARNING**

Always follow proper operating procedures as defined in this manual even if you are familiar with the use of this or similar tools. Remember that being careless for even a fraction of a second can result in severe personal injury.

WORK PREPARATION

- Wear proper apparel. Do not wear loose clothing, gloves, neckties, rings, bracelets or other jewelry which may get caught in moving parts of the tool.
- Wear protective hair covering to contain long hair.
- Wear safety shoes with non-slip soles.
- Wear safety glasses complying with United States ANSI Z87.1. Everyday glasses have only impact resistant lenses. They are NOT safety glasses.
- Wear face mask or dust mask if operation is dusty.
- Be alert and think clearly. Never operate power tools when tired, intoxicated or when taking medications known to cause drowsiness.

WORK AREA PREPARATION

- Keep work area clean. Cluttered work areas invite accidents.
- Do not use power tools in dangerous environments. Do not use power tools in damp or wet locations. Do not expose power tools to rain.
- Work area should be properly lit.
- Ground all tools. Proper electrical receptacle should be available for tool. Three-prong plug should be plugged directly into properly grounded, three-prong receptacle. If an adapter is used to accommodate a two-prong receptacle, the adapter lug MUST be to a known ground.
- Extension cords should have a grounding prong. The three wires of the extension cord should be of the correct gauge.
- Keep visitors at a safe distance from work area.
- Keep children out of the work area. Ensure your workshop is child-proof. Use padlocks, master switches or remove switch keys to prevent any unintentional use of power tools.

TOOL MAINTENANCE

- Always unplug tool prior to inspection.
- Consult manual for specific maintenance and adjustment procedures.
- Keep tool lubricated and clean for a safe operation.
- Keep work area clear. Form the habit of inspecting the work area for adjustment tools or accessories and remove them before switching tool on.
- Keep all parts in working order. Check to determine that guard or other parts will operate properly and perform their intended function.
- Check for damaged parts. Check for alignment of moving parts, binding, breakage, mounting and any other condition that may affect tool's operation.
- A guard or any other part that is damaged should be properly repaired or replaced. Do not perform makeshift repairs.

TOOL OPERATION

- Use the right tool for your job. Do not force your tool or attachment to do a job for which it was not designed.
- Avoid accidental start-up. Make sure that the tool is in the "OFF" position before plugging in.
- Never leave tool running unattended.
- Know your tool. Learn the tool's operation, application and specific limitations before using it.

 **CAUTION**

Think safety! Safety is a combination of operator common sense and alertness at all times when tool is being used.

 **WARNING**

Do not attempt to operate tool until it is completely assembled according to the instructions.

SAVE ALL WARNINGS AND INSTRUCTIONS FOR FUTURE REFERENCE



4



SPECIFIC SAFETY WARNINGS

WARNING

Read and understand the instruction manual before operating the Fume Extractor. Basic precautions listed below should always be followed when using your Fume Extractor to reduce the risk of injury, electrical shock or fire.

1. The Fume Extractor should be completely assembled.
2. Ensure power switch is in OFF Position.
3. The Filter should be properly installed.
4. The cover and exterior box body should be secure.
5. The Speed-regulating button is turned to OFF position.
6. NEVER use Fume Extractor in temperatures over 175° F.
7. NEVER use Fume Extractor in a flammable, explosive or greasy environment.

WARNING

Risk of electrocution. Supply wire must be grounded during operation. Internal electric voltage is as high as 310V.

WARNING

Risk of serious personal injury. Do not remove or install filter while machine is in operation. Never place hands or objects near the rotating impeller. Dis-assembly, inspection or maintenance should be performed by qualified professionals.

- This Fume Extractor is designed to environmental fumes only.
- NEVER attempt to use this Fume Extractor to collect water or any other liquids.

- NEVER attempt to use this Fume Extractor to collect debris.
- NEVER attempt to use this Fume Extractor to collect metal materials such as screws, nails or other metal parts.
- NEVER attempt to use this Fume Extractor to collect flammable or combustible dust/gas.
- DO NOT use near any flammable or combustible liquids.
- NEVER attempt to use this Fume Extractor to collect anything that is burning or smoking.
- DO NOT use outdoors or on wet surfaces.
- Turn machine OFF, disconnect power cord and ensure all moving parts have stopped completely before servicing or changing the filter.
- ALWAYS wear approved eye protection and respirator when changing the filter.
- Ensure the machine is turned OFF before unplugging the Fume Extractor.
- Unplug Fume Extractor when not in use.
- Grasp the plug not the cord to unplug the Fume Extractor.
- NEVER pull the Fume Extractor by the power cord.
- ALWAYS ensure collection/filter bags are secured in place.
- ALWAYS connect Fume Extractor to a matched power source.

IMPORTANT: Always consider safety first as it applies to your individual working conditions, the environment in every shop is different.

SAVE ALL WARNINGS AND INSTRUCTIONS FOR FUTURE REFERENCE

4



CONTENTS

UNPACKING

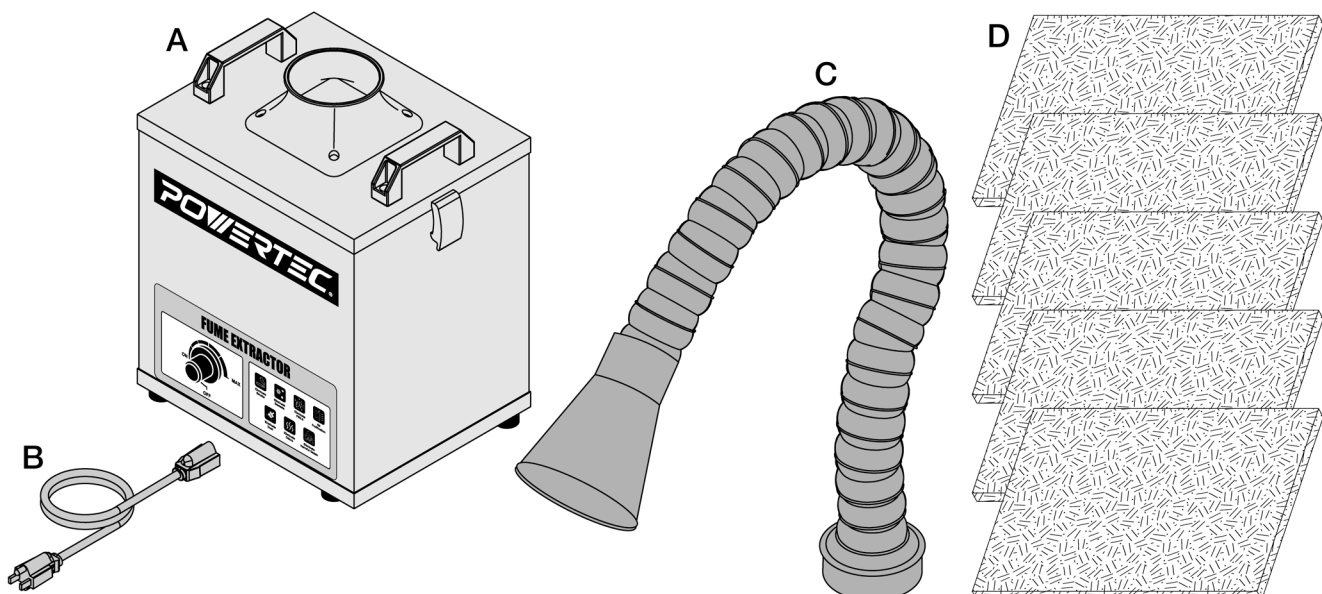
Check for shipping damage. Check immediately whether all parts and accessories are included. If anything is missing or broken, contact your retailer or call **847-780-6120**.

NOTE: Carefully remove all contents from shipping carton. The shipping carton contains:

ITEM	DESCRIPTION	QTY
A	Body/Motor (installed)	1
B	Power Cord, 5 ft.	1
C	Duct, 2 in. x 4 ft.	1
D	Pre-filter (1 of 5 installed)	5
E	Medium Filter (installed)	1
F	Carbon Filter (installed)	1

Figure 1

4



CAUTION

Do not attempt assembly if parts are missing. Call the Customer service line to obtain replacement parts.

WARNING

Ensure Fume Extractor switches are in OFF position and the unit is unplugged before assembling.

Do not operate Fume Extractor until completely assembled. Do not operate this tool until you have completely read and understood this manual.

NOTE: After unit is assembled dispose of all packaging material in an environmentally responsible way.

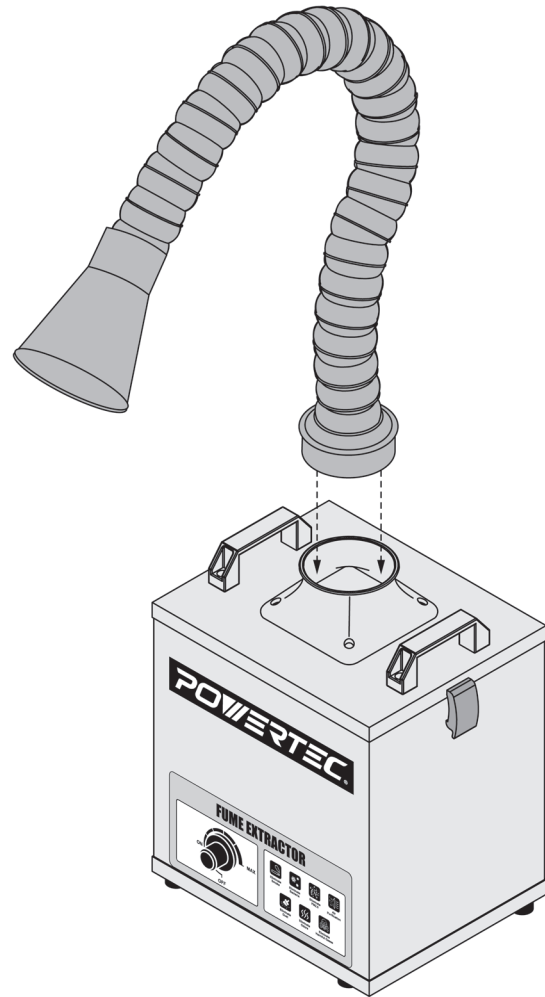
ATTACH SUCTION DUCT HOSE

1. Push Duct Hose (C) base into flange on top of Fume Extractor unit.
2. The flexible tube is designed to allow positioning to suit the job at hand. Adjust suction distance based on application.
3. When adjusting the direction of suction duct hose, maintain a broad loop or bend radius to the hose, if not, it will negatively affect suction force.
4. Directly face the work point. Keep a distance of 6 inches.
5. Avoid areas with excessive air flow. It could diminish suction force.

APPLICATIONS

The Fume Extractor is suitable for extracting fumes such as, smoke, peculiar odors, poisonous and harmful gas, soldering fumes, laser marking, carving and printing. The purified air can be discharged directly indoors.

Figure 2



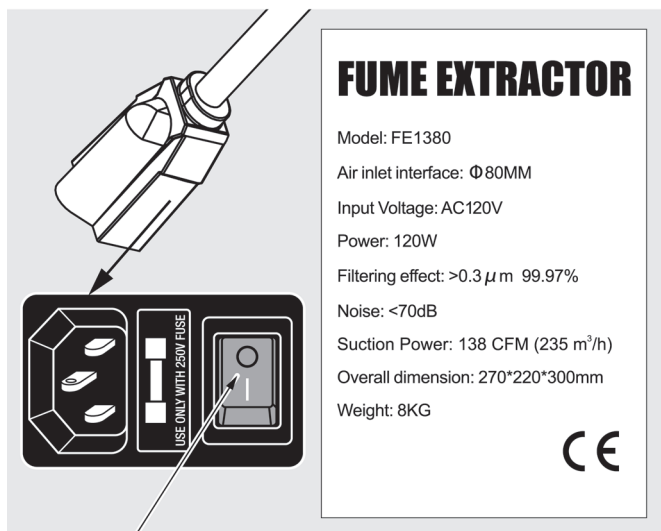
OPERATION

TURNING ON THE UNIT

WARNING

Risk of unintentional start up. To reduce the risk of injury, turn switch OFF before plugging in the machine.

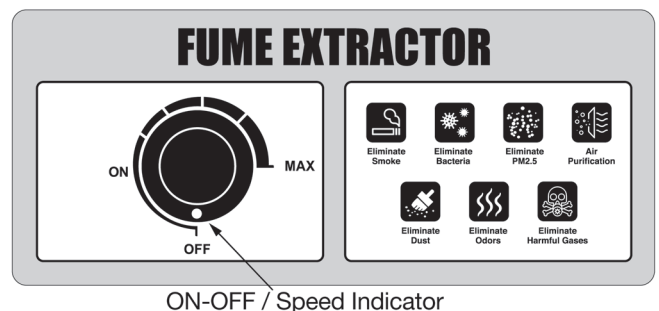
Figure 3



Unit Power Switch OFF

1. Before starting the machine, turn Speed Adjustment Knob to the OFF position.
2. Press [I] on Power Switch to start machine. Switch will light up indicating it is ON.
3. Press [O] on Power Switch to turn machine OFF. Switch light will be OFF.
4. Choose an air flow setting based on demand. Excessive air flow increases power consumption and noise level.
5. If the machine takes a long time to shutdown—turn OFF the main Power Switch and unplug the machine.

Figure 4



ON-OFF / Speed Indicator



FILTER MAINTENANCE

Figure 5

The Fume Extractor uses disposable filters. 5 each disposable filters are included (one is pre-installed).

WARNING

Risk of unintentional start up. To reduce the risk of injury, turn switches **OFF** and always unplug tool before attaching or removing accessories, or making adjustments.

WARNING

6 ALWAYS wear a respirator and safety goggles when changing the filters.

To Change Pre-Filter (D):

When there is a 70% accumulation of dust on **Pre-Filter (D)**, it can no longer clean the air and should be replaced.

1. Remove Suction Duct Hose (C).
2. Release the latches on either side of the case.
3. Remove the top of the Fume Extractor.
4. Remove Pre-Filter (D) and replace it on top of Middle Filter (E) with fresh filter.
5. Ensure the front "rough side" is facing up.

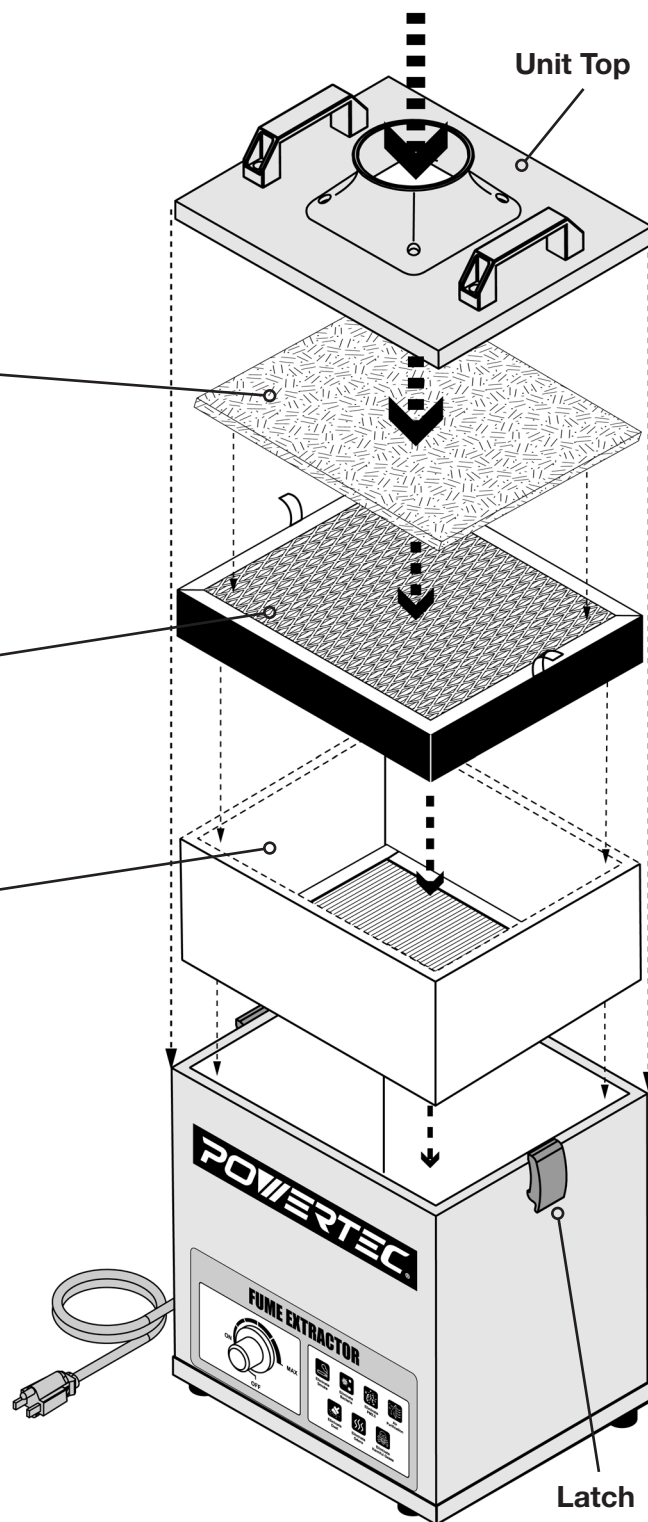
To Change Middle Filter (E):

1. **Middle Filter (E)** can be cleaned several time before needing replacement.
2. If replacement is needed, pull Middle Filter out using the pull-tabs on each side. Pull straight up.
3. Replace with a new one (sold separately).

To Change Main Filter (F):

1. **Main Filter (F)** should be replaced when it can no longer effectively eliminate the odor of smoke.
2. If replacement is needed, pull Main Filter out.
3. Replace with a new one (sold separately).

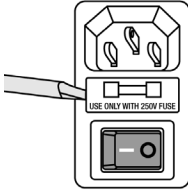
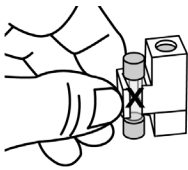
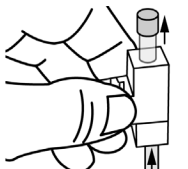
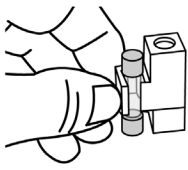
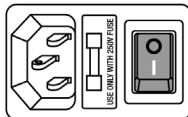
Incoming Air Flow Direction



REPLACE BLOWN FUSE

WARNING

Risk of unintentional start up. To reduce the risk of injury, turn switches **OFF** and always unplug tool before attaching or removing accessories, or making adjustments.

<p>With power OFF and machine unplugged, pry up the fuse groove with a screwdriver.</p> <p>Remove the entire fuse casing.</p>	<p>Figure 6</p> 
<p>Identify the blown fuse and remove it.</p>	<p>Figure 7</p> 
<p>Push spare fuse out of the casing using a screwdriver.</p>	<p>Figure 8</p> 
<p>Replace blown fuse with spare fuse.</p> <p>It is a good idea to always replace the spare fuse at the same time.</p>	<p>Figure 9</p> 
<p>Snap the fuse casing back in place.</p> <p>If the problem persists, please contact customer service.</p>	<p>Figure 10</p> 

WARNING

ALWAYS turn the Switch OFF when the Fume Extractor is not in use.

In the event of power failure, blown fuse, or tripped circuit breaker, ALWAYS turn switch OFF to prevent accidental startup when power is restored.

WARNING

Make sure machine is turned OFF and cord is disconnected from power source before servicing and removing/replacing any components on the machine.

CLEANING

WARNING

ALWAYS wear a respirator and safety goggles when changing the filters.

MACHINE STORAGE

- When Fume Extractor is not in use, disconnect cord from power source and store machine in a dry place.
- Do not expose machine to rain or wet environments.
- Ensure power cord is kept away from potential damage sources such as; sharp objects, chemicals, heat sources and water.

TOOL REPAIR

- If power cord is worn, cut, or damaged in any way, have it replaced immediately.
- Replace any damaged or missing parts. Any attempt to repair motor may create a hazard unless repair is done by a qualified service technician. Call the customer service line at **847-780-6120** for assistance.

GENERAL MAINTENANCE

WARNING

When servicing, use only identical replacement parts. Use of any other parts may create a hazard or cause Fume Extractor damage. To ensure safety and reliability, all repairs should be performed by a qualified service technician.

WARNING

Keep the Fume Extractor dry, clean, and free from oil and grease. Always use a clean cloth when cleaning. Never use brake fluids, gasoline, petroleum based products or any strong solvent to clean the Fume Extractor. Chemicals can damage, weaken or destroy plastic which may result in serious personal injury.



Thank you for investing in a **POWERTEC** power tool. This product has been designed and manufactured to meet high quality standards and is guaranteed for domestic use against defects in workmanship or material for a period of 12 months from the date of purchase. This guarantee does not affect your statutory rights.

SOUTHERN TECHNOLOGIES LLC. BENCH TOP AND STATIONARY POWER TOOL LIMITED 1 YEAR WARRANTY AND 30-DAY SATISFACTION GUARANTEE POLICY

POWERTEC products are designed and manufactured by **Southern Technologies LLC**. All warranty communications should be directed to **Southern Technologies LLC** by calling 847-780-6120 (toll free), 9 AM to 5 PM, Monday through Friday, US Pacific Time.

30- DAY SATISFACTION GUARANTEE POLICY

During the first 30 days after the date of purchase, if you are dissatisfied with the performance of this **POWERTEC** tool for any reason, you may return the tool to the retailer from which it was purchased for a full refund or exchange. You must present proof of purchase and return all original equipment packaged with the original product. The replacement tool will be covered by the limited warranty for the balance of the one year warranty period.

LIMITED ONE YEAR WARRANTY

This warranty covers all defects in workmanship or materials in this **POWERTEC** tool for a one year period from the date of purchase. This warranty is specific to this tool. **Southern Technologies, LLC** reserves the right to repair or replace the defective tool, at its discretion.

HOW TO OBTAIN SERVICE

To obtain service for this **POWERTEC** tool you must return it, freight prepaid, to **POWERTEC**. You may call (toll free) 847-780-6120 for more information. When requesting warranty service, you must present the proof of purchase documentation, which includes a date of purchase. **POWERTEC** will either repair or replace any defective part, at our option at no charge to you. The repaired or replacement unit will be covered by the same limited warranty for the balance of one year warranty period.

WHAT IS NOT COVERED

This warranty applies to the original purchaser at retailer and may not be transferred.

This warranty does not cover consumable items such as saw blades, knives, belts, discs, cooling blocks, and sleeves. This warranty does not cover required service and part replacement resulting from normal wear and tear, including accessory wear.

This warranty does not cover any malfunction, failure or defect resulting from:

- 1) misuse, abuse, neglect and mishandling not in accordance with the owner's manual.
- 2) damage due to accidents, natural disasters, power outage, or power overload.
- 3) commercial or rental use.
- 4) alteration, modification or repair performed by persons not recommended by **POWERTEC**.

DISCLAIMER

To the extent permitted by applicable law, all implied warranties, including warranties of MERCHANTABILITY or FITNESS FOR A PARTICULAR PURPOSE, are disclaimed. Any implied warranties, that cannot be disclaimed under state law are limited to one year from the date of purchase. **Southern Technologies LLC**. is not responsible for direct, indirect, incidental or consequential damages. Some states do not allow limitations on how long an implied warranty lasts and/or do not allow the exclusion or limitation of incidental or consequential damages, so the above limitations may not apply to you. This warranty gives you specific legal rights, and you may also have other rights which vary from state to state. Southern Technologies LLC., makes no warranties, representations, or promises as to the quality or performance of its power tools other than those specifically stated in this warranty.

POWERTEC®

Southern Technologies, LLC
Chicago • IL 60606