

POWERTEC®

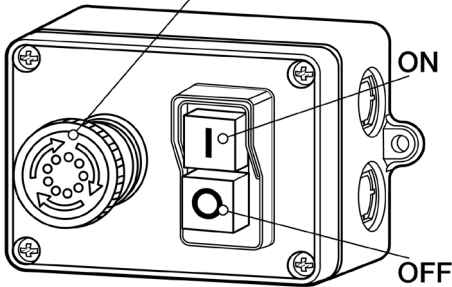
Magnetic Switch 120 V



- This Switch **MUST** be installed on an electrical circuit with a verified machine ground, correct voltage and adequate fuse protection.
- Before installing the Switch. **TURN OFF AND COMPLETELY DISCONNECT ALL POWER SOURCES** to the machine.
- **DO NOT** use this Switch near explosive fumes or flammable liquids. It is not sealed or rated for these environments.

SAVE ALL WARNINGS AND INSTRUCTIONS FOR FUTURE REFERENCE

Emergency Stop Button



INSTALLATION

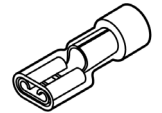


Connect the Switch to stranded wire with insulated wire terminals (not included).

Emergency Stop Button requires Y-Type 16-14 AWG #8 Wire Terminals.



ON/OFF Switch requires 1/4" Female Quick-Disconnect Wire Terminals.



Read and understand the instructions before installing this Switch.

NOTE: This Switch features a magnetic ON/OFF Switch with a large Emergency Stop Button. The electrical box has four 5/8" knockouts for wire access and four 1/4" knockouts for mounting assembly.

SPECIFICATIONS

Rated Horsepower	1 HP
Rated Voltage	120 V
Rated Current Amperage	18 A
Dimensions.....	5-9/16" x 3-3/16" x 3-3/4"



This Switch **MUST** be installed on an electrical circuit with a verified machine ground. In the event of certain malfunctions or breakdowns the grounding reduces the risk of electric shock by providing a path of least resistance for electrical current.

SAFETY INSTRUCTIONS



To reduce risk of serious burns, electrocution or death when installing this Switch:

- This Switch is to be used to replace an existing machine Switch with the same physical configuration, equivalent electrical specifications and ratings.
- The installation of this Switch **MUST** be performed by an electrician or a qualified service personnel in accordance with all national and local electrical codes.

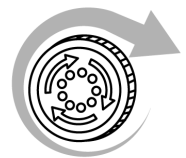
TO INSTALL — See the **Wiring Diagram** on back to properly install the Switch.

OPERATION

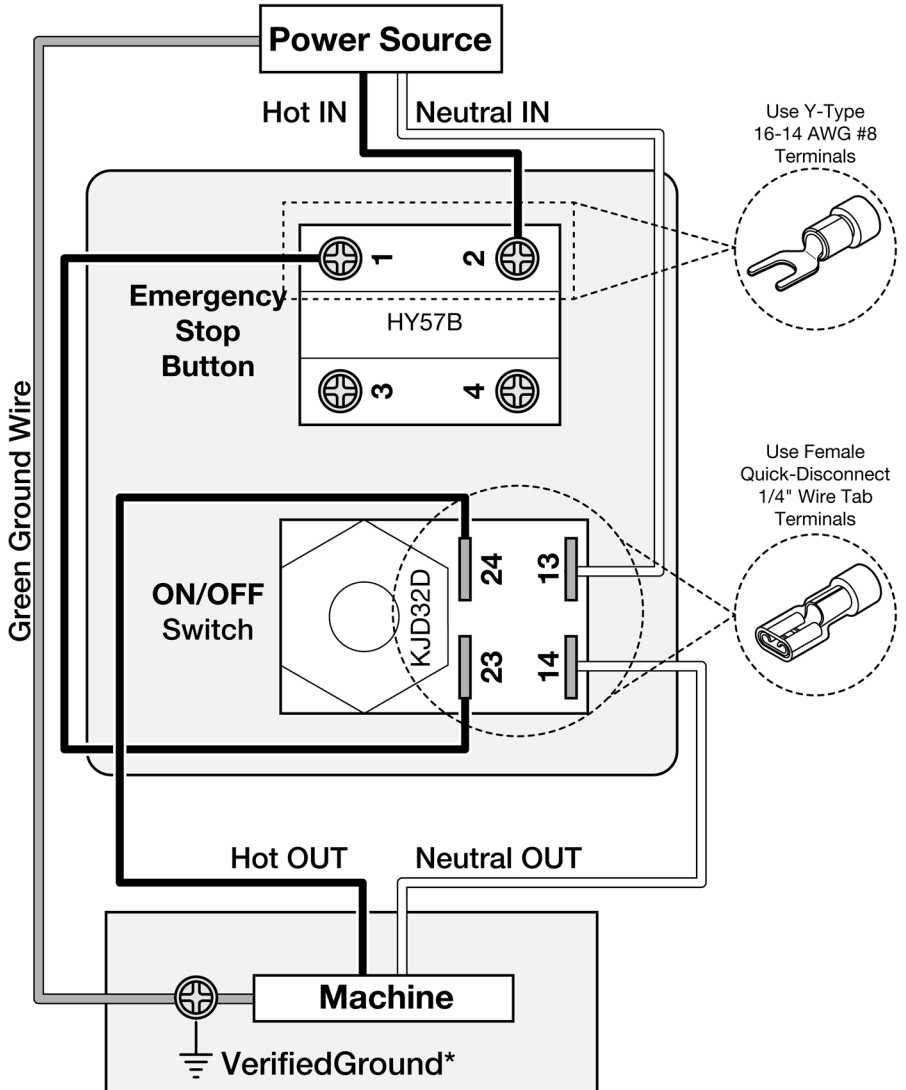
- Turn the Switch ON—Push **ON [I]** button.
- To turn the Switch OFF—Push **OFF [O]** button.



Reset the Emergency Stop Button for operation by twisting it clockwise until it pops out.



WIRING DIAGRAM Rear View of Switch



Visit us on the web at www.powertecproducts.com



Put these instructions and the original sales invoice in a safe, dry place for future reference.

Southern Technologies, LLC • Chicago, IL 60606