

POWERTEC®

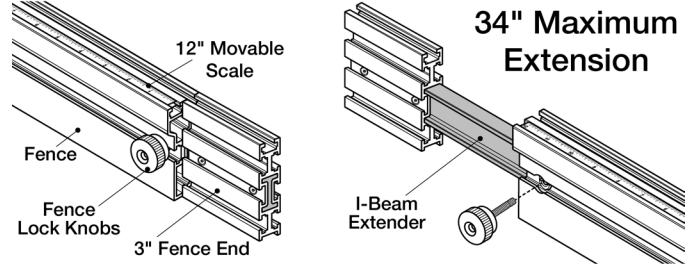
Telescoping Fence



THE TELESCOPING FENCE

1. See Figure 2. The I-Beam Extender with 3" Fence End allows an additional 17" extension. To extend the Fence and/or switch Fence position, loosen the two Lock Knobs and pull the 3" Fence End out to desired length and secure Lock Knobs.
2. The I-Beam Extender can be used on either end of the Fence. To change sides, loosen the Lock Knobs, remove the 3" Fence End with I-Beam Extender. Locate the I-beam profile on the other end of the Fence and insert I-Beam into the Fence. Tighten Knobs.

Figure 2



WARNING

For your own safety, read the machine's instruction manual before using any accessory. Failure to heed these warnings may result in serious personal injury and damage to the tool and the accessory.

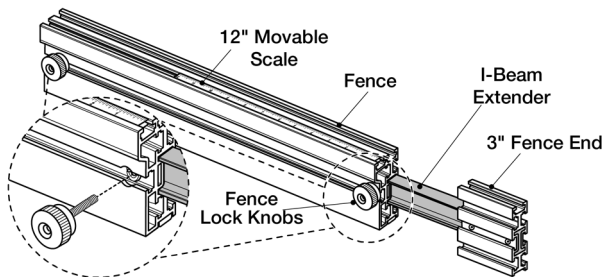
- Before using the Telescoping Fence, read and follow all instructions and safety information provided.
- Always keep hands clear of the blade, cutter, sanding disc/belt.
- Before making adjustments to the Telescoping Fence, turn off the power, allow the blade, cutter or sanding disc/belt to come to a complete stop and unplug the machine.
- Ensure handle and lock knob are tight before using.
- Before turning on the power after adjustments, ALWAYS verify there is a safe clearance between the blade and fence.

UNPACKING CONTENTS

NOTE: Check for shipping damage. Check immediately whether all parts and accessories are included.

ITEM	DESCRIPTION	QTY
A	Telescoping Fence, 3"x1-3/8"x20"	1
B	Lock Knobs	2
C	12" Movable Scale	1

Figure 1



WARNING

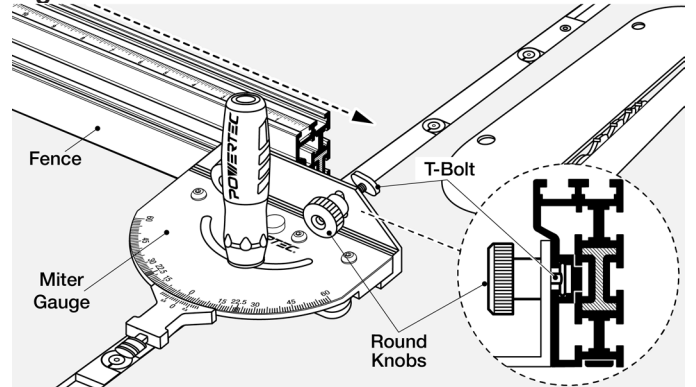
Risk of accidental starting and serious personal injury. Unplug the machine before attaching the Telescoping Fence.

INSTALL THE FENCE ONTO A MITER GAUGE (Not Included)

Figures 3-4. Shown using POWERTEC 71767 Miter Gauge (Sold separately)

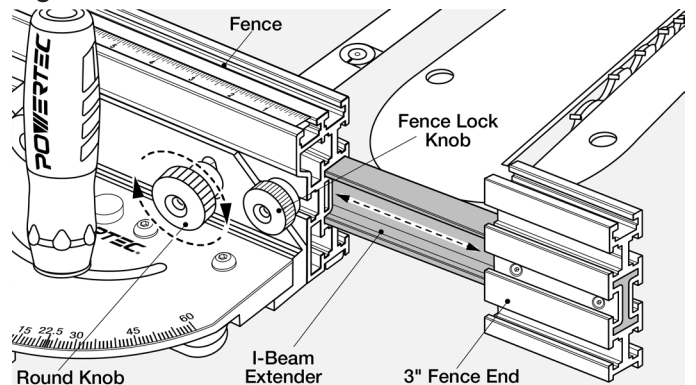
3. See Figure 3. Remove Fence Lock Knob. Loosen the two 5/16" Round Knobs on the Miter Gauge and slide the T-bolts into the Fence slot.

Figure 3



4. See Figure 4. Insert I-Beam Extender with 3" Fence End. Set to desired length. Tighten 5/16" Round Knobs on Miter Gauge. Reinsert Fence Lock Knobs and tighten to secure I-Beam Extender in position.

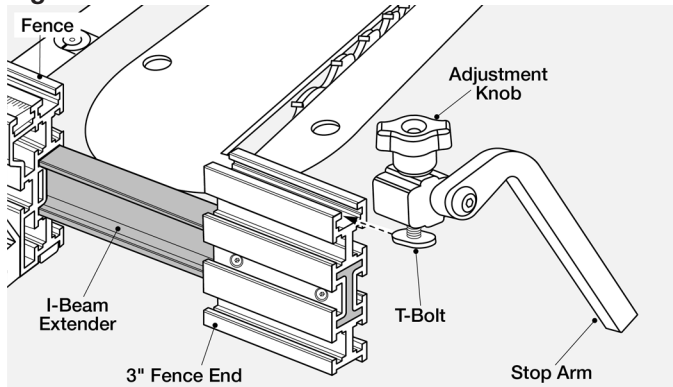
Figure 4



INSERT A FLIP STOP (Sold Separately)

Slide the T-Bolt into the slot on the top of the Fence or 3" Fence End (shown with 3" Fence End). Position the arm as needed and tighten the Adjustment Knob.

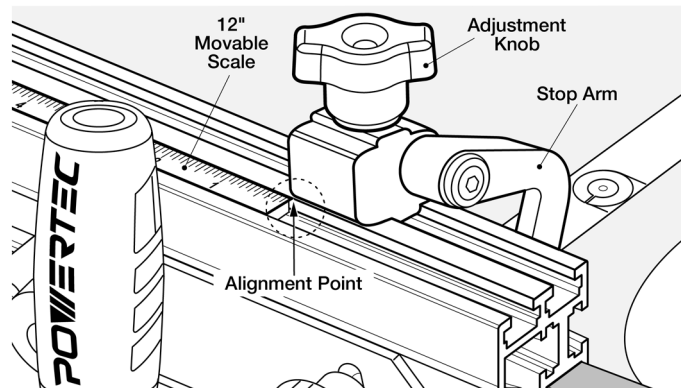
Figure 5



FEATURES

The Fence is equipped with a high quality 12" Movable Scale. Calibrate the scale by using the corner edge of the flip stop (not included) to identify the alignment point. Tighten the adjustment knob on the flip stop to secure in place.

Figure 6



WARNING

When servicing, use only identical replacement parts. Use of any other parts may create a hazard or cause product damage. To ensure safety and reliability, all repairs should be performed by a qualified service technician.

WARNING

Keep the Telescoping Fence dry, clean, and free from oil and grease. Always use a clean cloth when cleaning. Never use brake fluids, gasoline, petroleum-based products or any strong solvent to clean the Telescoping Fence. Chemicals can damage, weaken or destroy plastic which may result in serious personal injury.

Visit us on the web at www.powertecproducts.com



Put these instructions and the original sales invoice in a safe, dry place for future reference.

Southern Technologies, LLC • Chicago, IL 60606