

INSTRUCTION SHEET

POWERTEC®

Straight Edge Clamp



WARNING

For your own safety, read the machine's instruction manual before using any accessory. Failure to heed these warnings may result in serious personal injury and damage to the tool and the accessory.

- Before using the Straight Edge Clamp, read and follow all instructions and safety information provided.
- Always keep hands clear of the blade, cutter, sanding disc/belt.
- Before making adjustments to the Straight Edge Clamp, turn off the power, allow the blade, cutter or sanding disc/belt to come to a complete stop and unplug the machine.
- Ensure Clamping Handle is secure before using.
- Before turning on the power after adjustments, ALWAYS verify there is a safe clearance between the blade and Straight Edge Clamp.

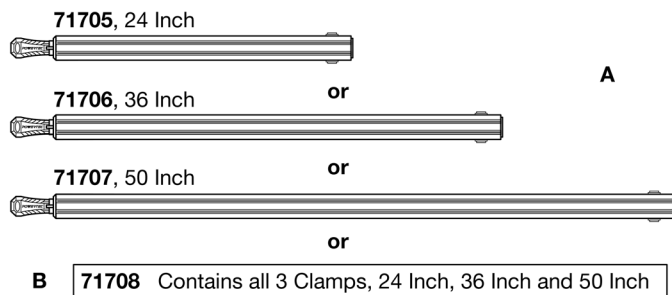
UNPACKING CONTENTS

NOTE: Check for shipping damage. Check immediately whether all parts and accessories are included.

ITEM	DESCRIPTION	QTY
A	Straight Edge Clamp (sold individually) 24"-71705 or 36"-71706 or 50"-71707	1
	or	
B	71708 - Complete Set 24", 36" and 50"	3

Figure 1

Contractor Straight Edge Clamps



WARNING

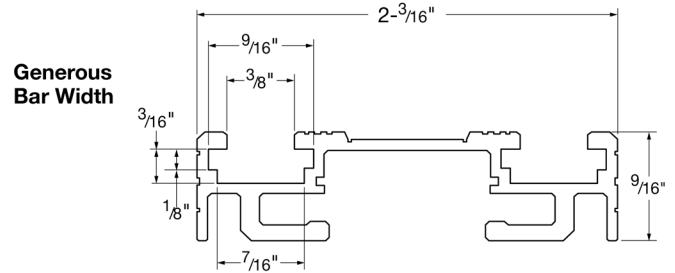
Risk of accidental starting and serious personal injury. Unplug the machine before attaching the Straight Edge Clamp.

THE STRAIGHT EDGE CLAMP(s)

Sold individually (71705, 71706 or 71707) or as a complete set (71708). The 71708 set offers all three sizes: 24", 36", and 50" lengths. This set can handle narrower boards as well as crosscuts on full sheets of plywood.

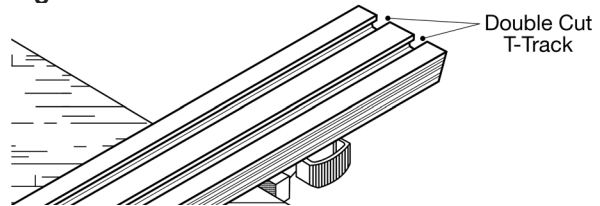
See Figure 2. The Straight Edge Clamps are manufactured of sturdy, yet lightweight, extruded aluminum and is 2-3/16 inches wide, providing the strength and rigidity needed to prevent the bar from bending under pressure while operating a router or circular saw.

Figure 2



See Figure 3. It also features a Double Cut T-Track design suitable for use with compatible jigs. To access the T-tracks, slide 1/4"-20 T-bolts, 5/16"-18 T-bolts or 1/4"-20 Hex head bolts into rear of the Straight Edge Guide using the track slots.

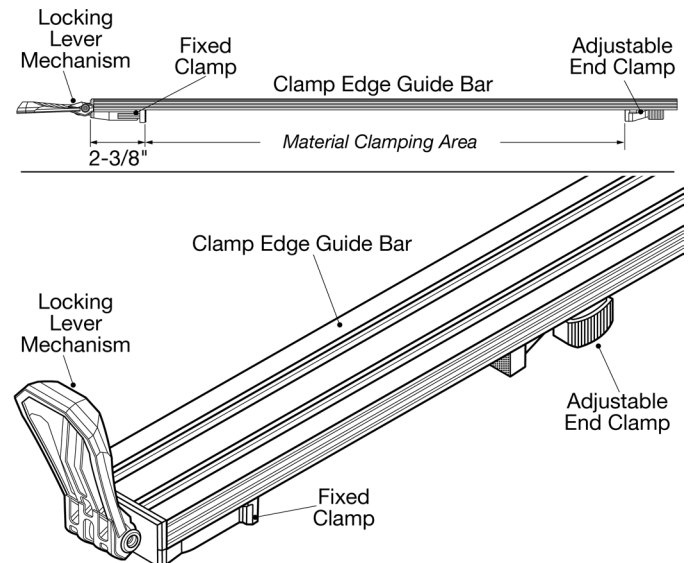
Figure 3



USING THE STRAIGHT EDGE CLAMP

See Figure 4. The clamping system includes a large Locking Lever which holds firmly into place. Clamp jaws create a secure grip to the material.

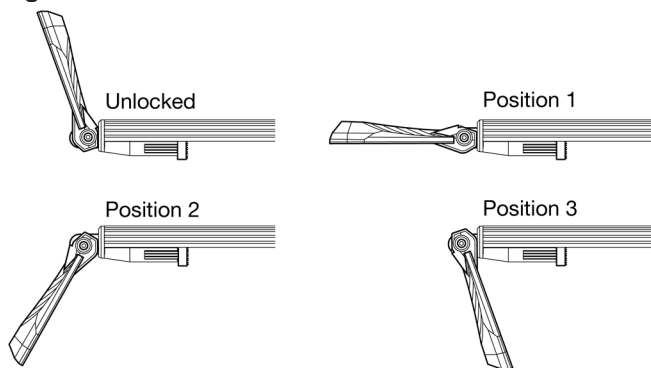
Figure 4



To operate the Locking Lever:

The Locking Lever on each clamp can be secured into one of three positions with varying amounts of pressure. Depending on the project or application, more/less pressure may be required as needed.

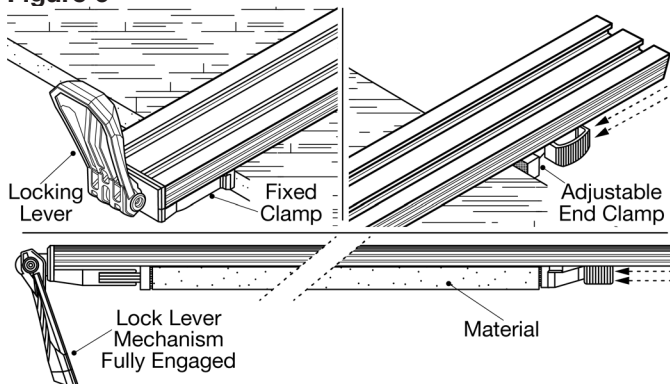
Figure 5



Secure the Straight Edge Clamp: See Figure 6.

1. Determine the cut locations.
2. Mark one edge of the board to the desired length, and mark the other edge to the same length.
3. Place the Straight Edge Clamp on the material.
4. Align and position the Straight Edge Clamp to your reference marks. This is the only alignment to these marks necessary.
5. The Straight Edge Clamp has one Adjustable Clamp and one Fixed Clamp. Place the Fixed Clamp with Locking Lever against the edge of the material closest to you.
6. With the Locking Lever released and the Fixed Clamp in position, draw the Adjustable End Clamp in and position firmly against the opposite end of the material.
7. Once set and aligned, secure the clamp by engaging the Locking Lever into one of the 3 positions.

Figure 6

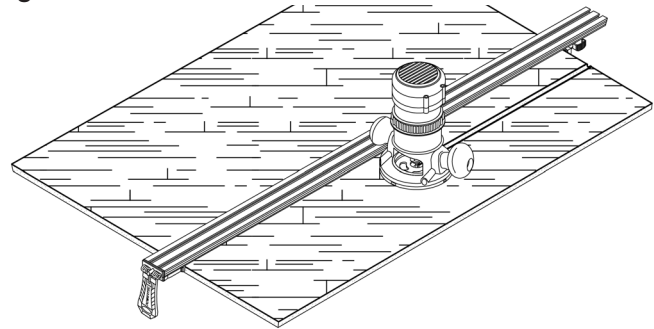


NOTE: When maneuvering the Adjustable End Clamp please notice it moves only in a forward position.

READY TO USE

These Straight Edge Guide Clamps are designed for zero movement with minimal deflection to provide straight, clean, smooth cuts time after time. Use with Routers, Circular Saws, Jig Saws and various other tools.

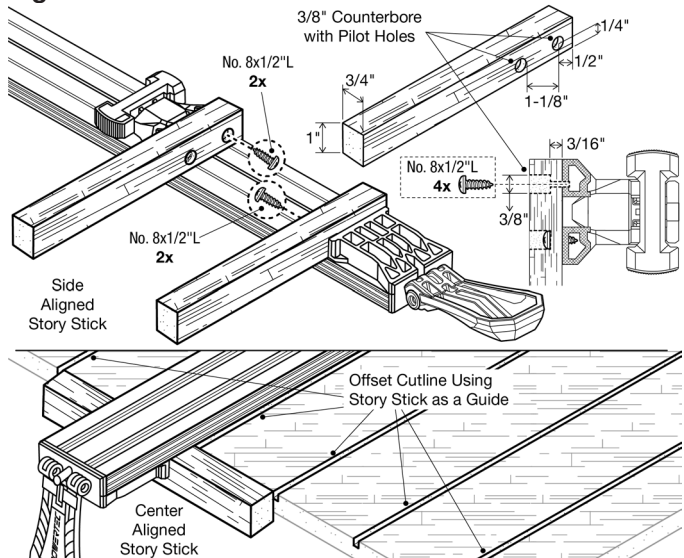
Figure 7



Optional "Story Sticks": (Not Included)

1. Use a 3/8" drill bit to counterbore with pilot holes, and mount the story sticks using 4 ea. No. 8 x 1/2" L wood screws. Keep 3/16" thickness on the story sticks for mounting the screws.
2. It is common practice to mount the story stick longer than needed then cut through to desired length on first cut. The length of the story stick is based on the user's needs and may be used as a cutline indicator to position cuts.
3. Story sticks can be mounted Right, Left or Center of clamps. Always be aware of cutline location before cutting.

Figure 8



NOTE: If the holding area is quite small, please use the story sticks to enlarge the jaws in order to increase the holding capacity.

⚠ WARNING

When servicing, use only identical replacement parts. Use of any other parts may create a hazard or cause product damage. To ensure safety and reliability, all repairs should be performed by a qualified service technician.

⚠ WARNING

Keep the Straight Edge Clamp dry, clean, and free from oil and grease. Always use a clean cloth when cleaning. Never use brake fluids, gasoline, petroleum-based products or any strong solvent to clean the Straight Edge Clamp. Chemicals can damage, weaken or destroy plastic which may result in serious personal injury.

Visit us on the web at www.powertecproducts.com



Put these instructions and the original sales invoice in a safe, dry place for future reference.

Southern Technologies, LLC • Chicago, IL 60606