

# POWERTEC®

## 36" Double T-Track Kit



### SAFETY RULES

#### **WARNING**

For your own safety, read all of the rules and precautions before operating tool.

#### **WARNING**

Always follow proper operating procedures as defined in this manual even if you are familiar with use of this 36" Double T-Track Kit or any tool used with this 36" Double T-Track Kit. Remember that being careless for even a fraction of a second can result in severe personal injury.

Before using another tool with this product, always read, understand and follow the instructions and safety warnings in the owner's manual for that tool. If you do not have the owner's manual, obtain one from the tool's manufacturer before using it with this product.

You must be familiar with the use of any tool or accessory used with this 36" Double T-Track Kit. The supplier cannot be held responsible for any accident, injury or damage incurred while using this 36" Double T-Track Kit with any tool.

It is the responsibility of the purchaser of this product to ensure that any person using this product reads and complies with all instructions and safety precautions outlined in this manual and the operating manual of the tool being used prior to use.

Some dust created by operation of power tools can expose you to chemicals known to the State of California to cause cancer, birth defects or other reproductive harm. To reduce your exposure to these chemicals, work in a well ventilated area and work with approved safety equipment. Always wear OSHA/NIOSH approved, properly fitting face mask or respirator when using such tools.

#### **CAUTION**

Do not modify or use this 36" Double T-Track Kit for any application other than that for which it was designed.

### FOLLOW ALL STANDARD SHOP SAFETY PRECAUTIONS, INCLUDING:

- Keep children and visitors at a safe distance from work area.
- Keep work area clean. Cluttered work areas invite accidents. Work area should be properly lit.
- Do not use power tools in dangerous environments. Do not use power tools in damp or wet locations. Do not expose power tools to rain.
- TURN OFF AND UNPLUG all power tools BEFORE making any adjustments or changing accessories.
- Be alert and think clearly. Never operate power tools when tired, intoxicated or when taking medications that cause drowsiness.
- Wear proper apparel. Do not wear loose clothing, gloves, neckties, rings, bracelets or other jewelry which may get caught in moving parts of the tool.
- Wear protective hair covering to contain long hair.
- Wear safety shoes with non-slip soles.
- Wear safety glasses complying with United States ANSI Z87.1. Everyday glasses have only impact resistant lenses. They are NOT safety glasses.
- Wear face mask or dust mask if operation is dusty.
- A guard or any other part that is damaged should be properly repaired or replaced. Do not perform makeshift repairs.
- Use safety equipment such as featherboards, push sticks and push blocks, etc., when appropriate.
- Maintain proper footing at all times and do not overreach.
- Do not force woodworking tools.

#### **CAUTION**

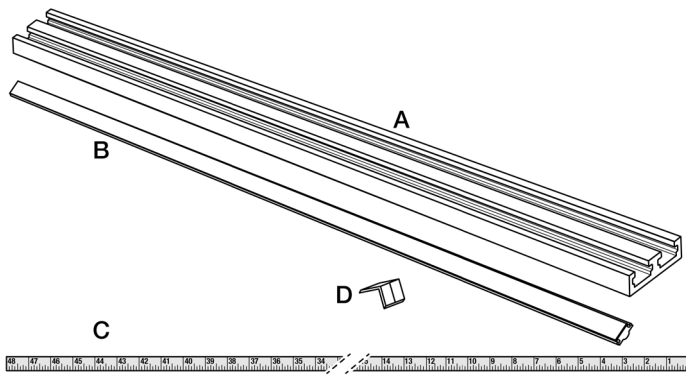
Think safety! Safety is a combination of operator common sense and alertness at all times when tool is being used.

#### **CAUTION**

Do not use the 36" Double T-Track Kit until it is completely assembled and you have read and understood this entire operating manual and the operating manual of the tool being used with this 36" Double T-Track Kit.

### SAVE ALL WARNINGS AND INSTRUCTIONS FOR FUTURE REFERENCE

## PACKAGING CONTENTS



ITEM	DESCRIPTION	QTY
A	36" Double Top T-Track	1
B	36" Plastic insert	1
C	48" Metal tape measure with adhesive backing (Right to Left)	1
D	Clear acrylic cursor with hairline indicator	1

## HARDWARE NEEDED *(not included)*

9- #8 flathead wood screws

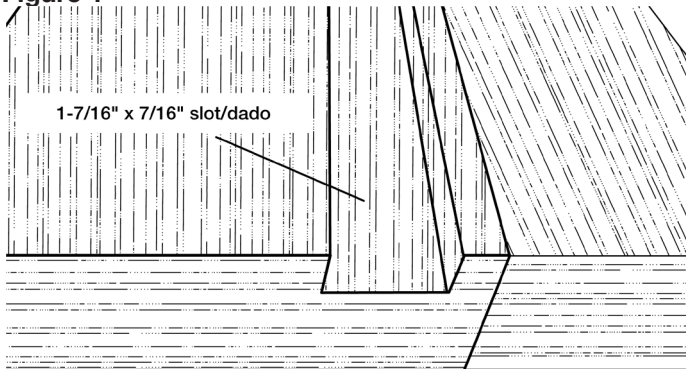
The **POWERTEC** 36" Double T-Track Kit allows for enhanced accuracy and versatility to any jig or fixture. The 36" Double Top T-Track has two universal T-Tracks mounted side by side to be used with 5/16" T-Bolts, 1/4" T-Bolts and 1/4" hex bolts (not included).

The **POWERTEC** 36" Double Top T-Track Kit includes a 36" Plastic Insert and 48" Tape Measure which adds accuracy to out-feed tables, assembly fixtures, router fences, drill press fences, movable fences, or any other applications requiring a T-Track.

## ASSEMBLY

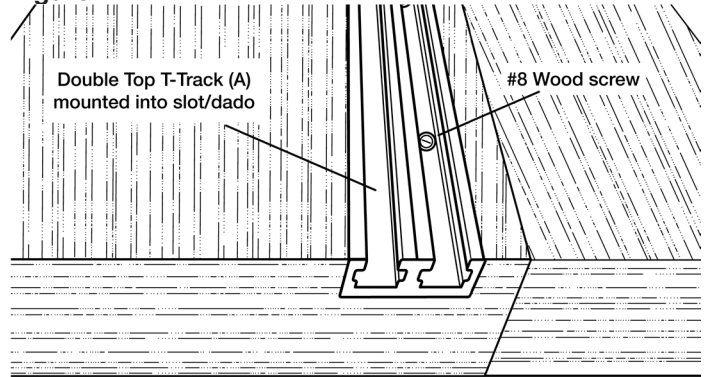
Cut a slot or dado 1-7/16" wide by 7/16" deep into table or work surface.

Figure 1



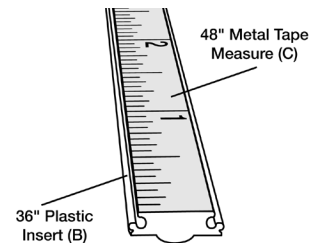
Using 9 #8 flat head wood screws (not included) fasten Double Top T-Track (A) into slot/dado (use epoxy for increased holding power, optional). Cut track to desired length, if needed.

Figure 2



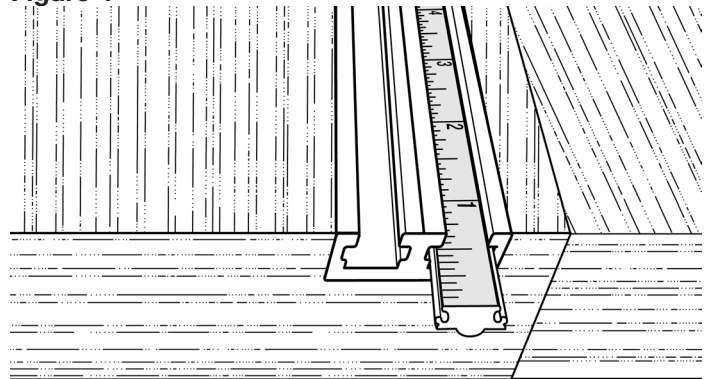
Cut Metal Measuring Tape (C) to fit Plastic Insert (B). Remove the protective backing from the metal tape measure and carefully place it onto the flat side of the 36" plastic insert.

Figure 3



Slide the metal tape measure insert into the Double Top T-Track slot. (The side with flathead wood screws)

Figure 4

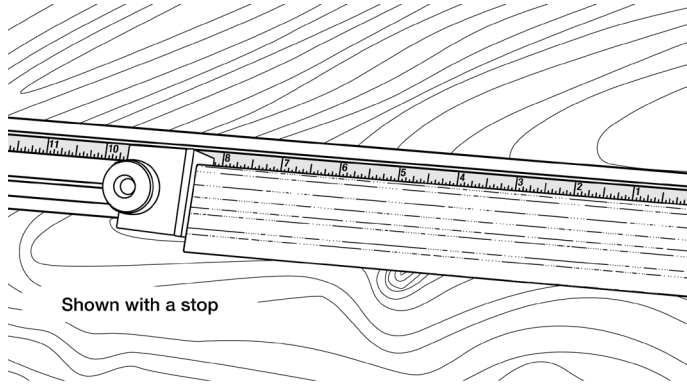


**NOTE:** The plastic insert is designed to slide in and out of the T-Track. To "snug" up the fit apply a piece of tape to the bottom of the insert or to the inside of the track. Includes a clear acrylic cursor (D) with adhesive backing which can be attached to stops or other T-Track accessories (sold separately).

## DOUBLE T-TRACK APPLICATIONS

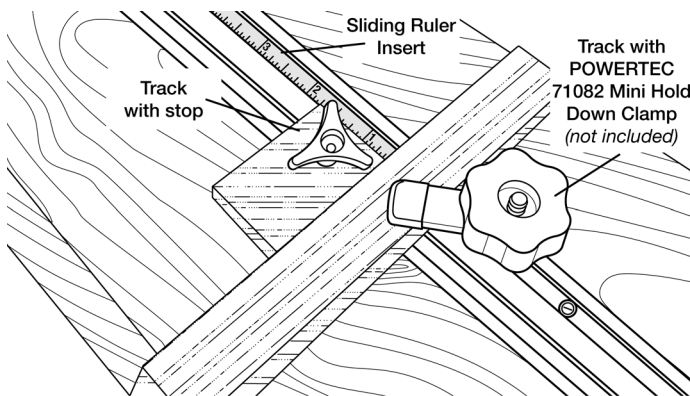
Shown with available accessories (*sold separately*).

### Assembly/Layout Table



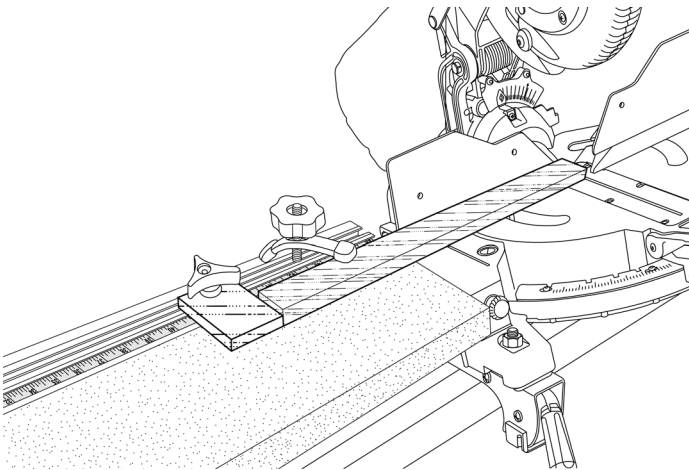
### Utilizing Both Tracks

The metal tape measure/insert combo slides out of the way to allow access to both T-Tracks.



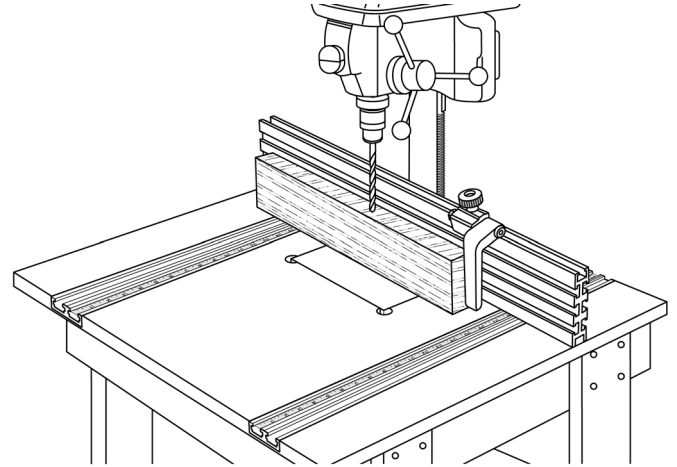
### Outfeed Table

Miter Saw shown with extended outfeed table.

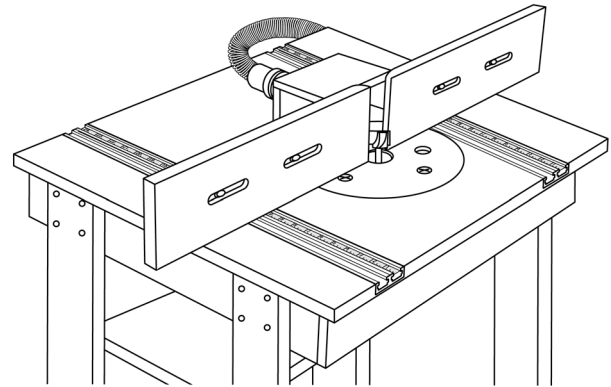


## Drill Press Fence

**POWERTEC** 71335 L-Shaped Brackets attach to the fence and slide into the T-tracks.



## Router Table



## GENERAL MAINTENANCE

### ⚠ WARNING

When servicing, use only identical replacement parts. Use of any other parts may create a hazard or cause product damage. To ensure safety and reliability, all repairs should be performed by a qualified service technician.

### ⚠ WARNING

Keep the 36" Double Top T-Track dry, clean, and free from oil and grease. Always use a clean cloth when cleaning. Never use brake fluids, gasoline, petroleum based products or any strong solvent to clean the 36" Double Top T-Track. Chemicals can damage, weaken or destroy plastic which may result in serious personal injury.

**POWERTEC®**

Visit us on the web at [www.powertecproducts.com](http://www.powertecproducts.com)



Put these instructions and the original sales invoice  
in a safe, dry place for future reference.

Southern Technologies, LLC  
Chicago, IL 60606