

INSTRUCTION SHEET

POWERTEC®

Model No. 71135

2-1/4" Fence Flip Stop

Model No. 71367

3" Fence Flip Stop



PACKAGING CONTENTS

Fence Flip Stop (one set)

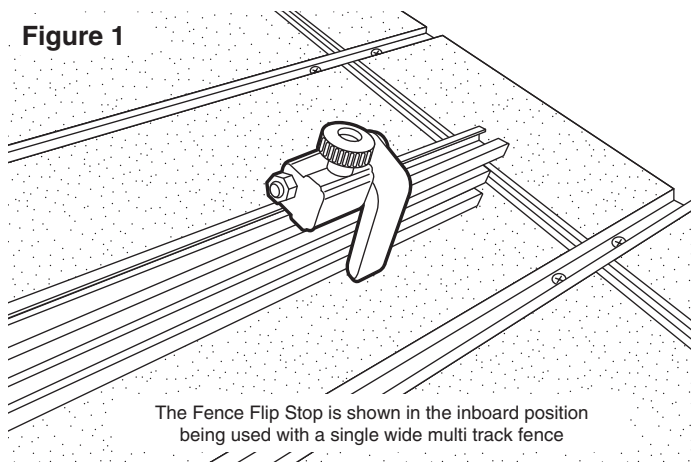
TO USE

The fence flip stop works with all Powertec and most other brands of Universal T-Tracks.

These Powertec Fence Flip Stops are extremely versatile and quickly convert from inboard to outboard position for a variety of applications. In addition, the flip arm can be moved from right to left to match your feed direction requirements.

- In the inboard position, the stop works with single wide multi track fences (2-1/4" or 3") and functions as an easily adjustable stop. See Figure 1.

Figure 1



- In the outboard position, the body rotates and the flip arm moves out. In this position the stop can work with multi track fences with sacrificial wood boards. It also works with the 71131 Powertec Vertical Mount T-Track with Scale. When combined with this option, the fence flip stop can turn your homemade fence into an accurate stop system. See Figure 2 and 3.

Figure 2

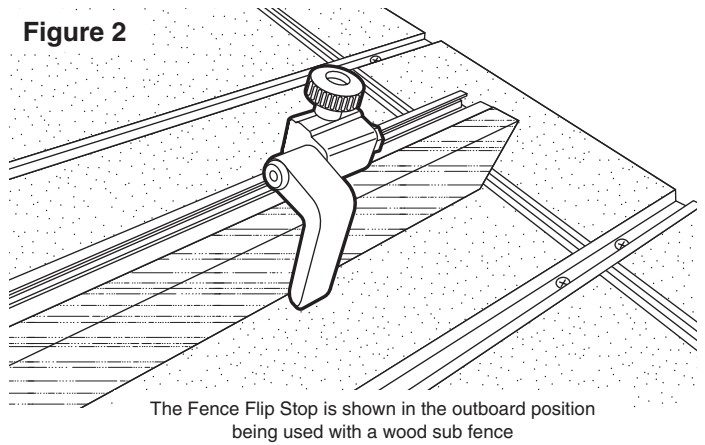
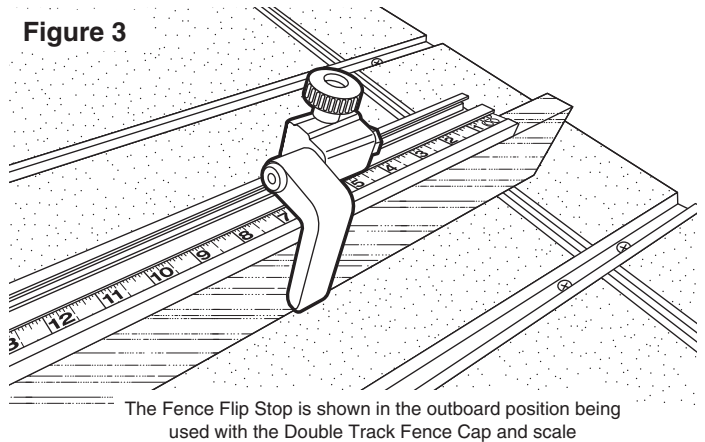


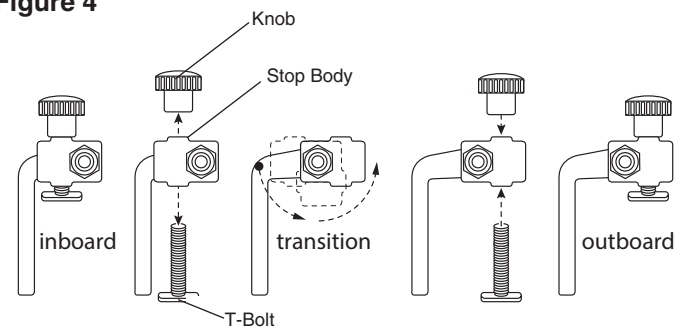
Figure 3



To Convert from Inboard to Outboard Position

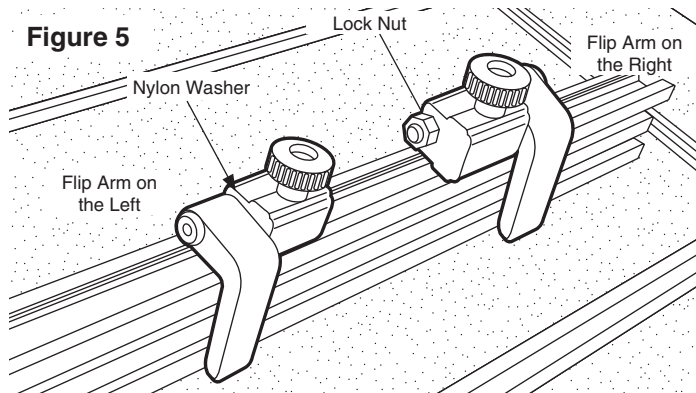
Remove the knob and T-Bolt and rotate the stop body 180°. Replace the knob and T-bolt. See Figure 4.

Figure 4



To Move the Flip Arm

Remove the lock nut and reposition the flip arm assembly to the required side of the body. Make sure nylon washer is between the flip arm and body and replace lock nut. See Figure 5.



Visit us on the web at www.powertecproducts.com



Put these instructions and the original sales invoice in a safe, dry place for future reference.

Southern Technologies, LLC
Waukegan, IL 60087