



## Router Guide Rail Adapter



### SAFETY RULES

#### **WARNING**

For your own safety, read all of the rules and precautions before operating tool.

#### **WARNING**

Always follow proper operating procedures as defined in this manual even if you are familiar with use of this Router Guide Rail Adapter or any tool used with this Router Guide Rail Adapter. Remember that being careless for even a fraction of a second can result in severe personal injury.

Before using another tool with this product, always read, understand and follow the instructions and safety warnings in the owner's manual for that tool. If you do not have the owner's manual, obtain one from the tool's manufacturer before using it with this product.

You must be familiar with the use of any tool or accessory used with this Router Guide Rail Adapter. The supplier cannot be held responsible for any accident, injury or damage incurred while using this Router Guide Rail Adapter with any tool.

It is the responsibility of the purchaser of this product to ensure that any person using this product reads and complies with all instructions and safety precautions outlined in this manual and the operating manual of the tool being used prior to use.

Some dust created by operation of power tools can expose you to chemicals known to the State of California to cause cancer, birth defects or other reproductive harm. To reduce your exposure to these chemicals, work in a well ventilated area and work with approved safety equipment. Always wear OSHA/NIOSH approved, properly fitting face mask or respirator when using such tools.

#### **CAUTION**

Do not modify or use this Router Guide Rail Adapter for any application other than that for which it was designed.

### FOLLOW ALL STANDARD SHOP SAFETY PRECAUTIONS, INCLUDING:

- Keep children and visitors at a safe distance from work area.
- Keep work area clean. Cluttered work areas invite accidents. Work area should be properly lit.
- Do not use power tools in dangerous environments. Do not use power tools in damp or wet locations. Do not expose power tools to rain.
- TURN OFF AND UNPLUG all power tools BEFORE making any adjustments or changing accessories.
- Be alert and think clearly. Never operate power tools when tired, intoxicated or when taking medications that cause drowsiness.
- Wear proper apparel. Do not wear loose clothing, gloves, neckties, rings, bracelets or other jewelry which may get caught in moving parts of the tool.
- Wear protective hair covering to contain long hair.
- Wear safety shoes with non-slip soles.
- Wear safety glasses complying with United States ANSI Z87.1. Everyday glasses have only impact resistant lenses. They are NOT safety glasses.
- Wear face mask or dust mask if operation is dusty.
- A guard or any other part that is damaged should be properly repaired or replaced. Do not perform makeshift repairs.
- Use safety equipment such as featherboards, push sticks and push blocks, etc., when appropriate.
- Maintain proper footing at all times and do not overreach.
- Do not force woodworking tools.

#### **CAUTION**

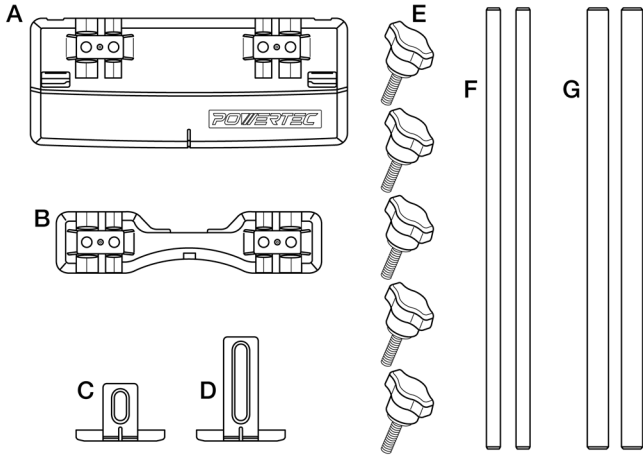
Think safety! Safety is a combination of operator common sense and alertness at all times when tool is being used.

#### **CAUTION**

Do not use the Router Guide Rail Adapter until it is completely assembled and you have read and understood this entire operating manual and the operating manual of the tool being used with this Router Guide Rail Adapter.

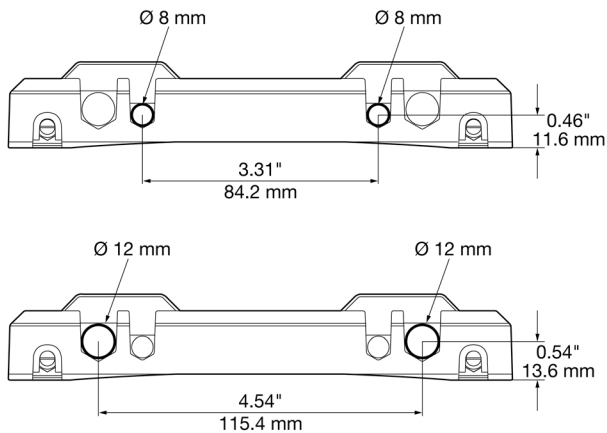
### SAVE ALL WARNINGS AND INSTRUCTIONS FOR FUTURE REFERENCE

## PACKAGING CONTENTS



ITEM	DESCRIPTION	QTY
A	Guide Rail Adapter	1
B	Sub Adapter	1
C	Support 1, 0-8 mm	1
D	Support 2, 0-33 mm	1
E	Adjustment screws	5
F	Rod 8, 8 mm diameter x 250 mm	2
G	Rod 12, 12 mm diameter x 250 mm	2

Figure 1



**NOTE:** The guide rail adapter uses two sets of mounting rods. One set is 8 mm and 3.31" on center. The other set is 12 mm and 4.54" on center.

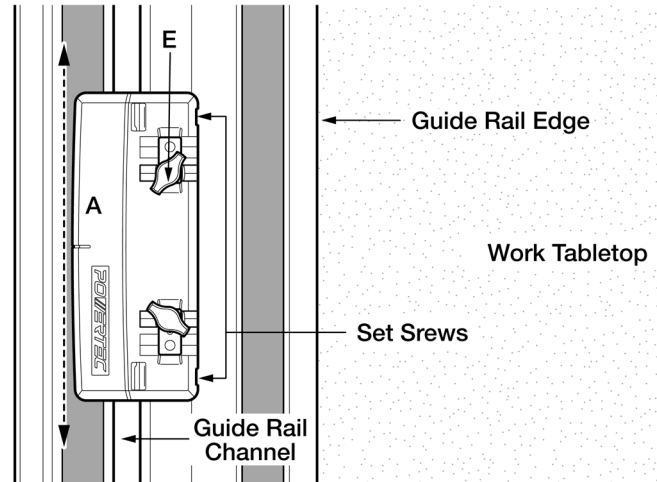
## ASSEMBLY

### ⚠ CAUTION

Always be sure router is switched off and unplugged before installing or removing from guide rail.

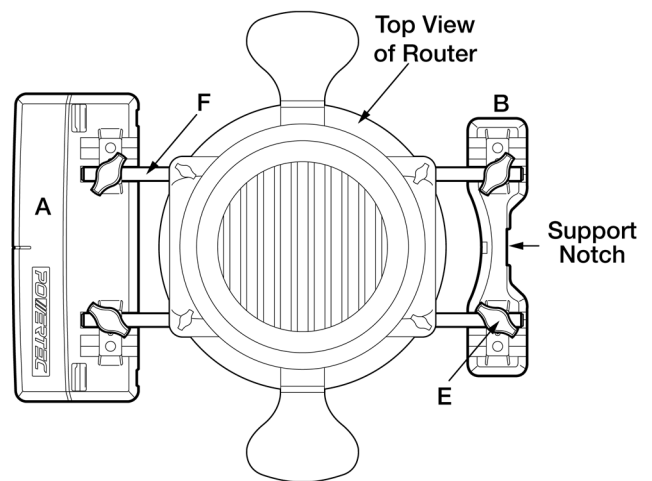
- Loosely assemble Guide Rail Adapter (A), with two adjustment screws (E). Place onto guide rail channel (not included). Slide back and forth to verify that the adapter moves freely.

Figure 2



- Tighten Set Screws (See Adjusting Set Screws Figure 7) to remove all slack from adapter. Verify free movement again. Remove adapter from rail.
- Insert rods through appropriate router base guide-holes then into adapter (A). Using sub adapter (B) with adjustment screws (E) loosely inserted, slide sub adapter (B), with the support notch positioned to the outside, onto rods leaving all 4 adjustment screws loose. Make sure rods are inserted all the way into the holes on the guide rail adapter, then tighten adjustment screws.

Figure 3



## USING THE SUPPORTS

- The supports are used with Sub Adapter (B).
  - Stepped level for Support 1 (C) is 0-8 mm. Figure 4
  - Stepped level for Support 2 (D) is 0-33 mm. Figure 5
- Loosely assemble the support (C or D) and an Adjustment Screw (E).

Figure 4

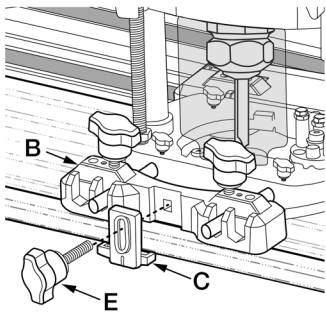
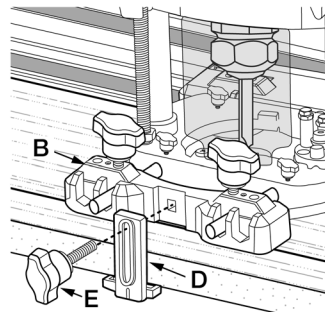
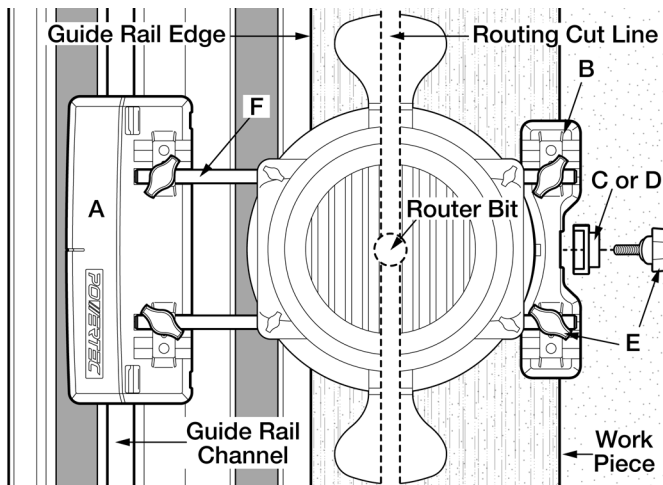


Figure 5



- Place entire assembly onto guide rail. Set and lock adjustment screws by first putting moderate pressure on Adapter (A) to ensure it is set square. While pushing down on Adapter (A), adjust the support to the top of the work surface and tighten adjustment screws. Test movement of the assembled router to verify it sets square and moves smoothly.
- Move router to desired position.

Figure 6

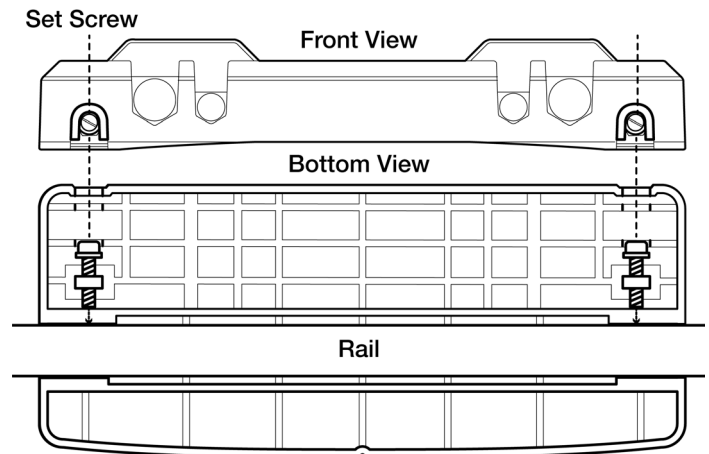


Make sure the cut line of the bit does not contact the guide rail.

## ADJUSTING THE SET SCREWS

- Remove the Guide Rail Adapter from the guide rail and turn the two set screws shown in (Figure 7). Do not over tighten.
- Place back on the guide rail and verify that it moves freely with no slack.

Figure 7



**NOTE:** Even pressure must be applied when adjusting and tightening set screws, if the adapter is not square it may cause chatter during operation.

## KNOWN COMPATIBLE ROUTERS

Makita*	RP0910	F	8 mm rod
	RP1110C	F	8 mm rod
	3612	G	12 mm rod
	3612C	G	12 mm rod
	3612BR	G	12 mm rod
	RP1800	G	12 mm rod
	RP1801	G	12 mm rod
	RP1800F	G	12 mm rod
	RP1801F	G	12 mm rod
	RP2300FC	G	12 mm rod
	RP2301FC	G	12 mm rod
	RP0900K	F	8 mm rod
	Compact Routers using Plunge Base 196094-2	F	8 mm rod
DeWALT*	DW621	F	8 mm rod
	DWP611PK	F	8 mm rod
Ryobi*	R1631K	F	8 mm rod
	R163G	F	8 mm rod

\* DEWALT is a trademark of The Stanley Black & Decker Corporation—Makita is a trademark of Makita Corporation—Ryobi is a trademark of Ryobi Limited and used by Techtronic Industries Company LTD

**NOTE:** Routers listed are compatible with the **POWERTEC** 71085 Guide Rail Adapter.

If you do not have any of the listed routers, check the through-mounting hole measurement on your router base and compare to the base measurements in (Figure 1) to verify if either set will work for you.

## GENERAL MAINTENANCE

### **WARNING**

When servicing, use only identical replacement parts. Use of any other parts may create a hazard or cause product damage. To ensure safety and reliability, all repairs should be performed by a qualified service technician.

### **WARNING**

Keep the Router Guide Rail Adapter dry, clean, and free from oil and grease. Always use a clean cloth when cleaning. Never use brake fluids, gasoline, petroleum based products or any strong solvent to clean the Router Guide Rail Adapter. Chemicals can damage, weaken or destroy plastic which may result in serious personal injury.

# **POWERTEC**<sup>®</sup>

Visit us on the web at [www.powertecproducts.com](http://www.powertecproducts.com)



Put these instructions and the original sales invoice in a safe, dry place for future reference.

Southern Technologies, LLC  
Chicago, IL 60606