



Router Table Dust Collection System



⚠ WARNING

For your own safety, read all of the rules and precautions before operating tool.

⚠ WARNING

Always follow proper operating procedures as defined in this manual even if you are familiar with use of Router Table Dust Collection System or any tool used with Router Table Dust Collection System. Remember that being careless for even a fraction of a second can result in severe personal injury.

Before using another tool with this product, always read, understand and follow the instructions and safety warnings in the owner's manual for that tool. If you do not have the owner's manual, obtain one from the tool's manufacturer before using it with this product.

You must be familiar with the use of any tool or accessory used with Router Table Dust Collection System. The supplier cannot be held responsible for any accident, injury or damage incurred while using Router Table Dust Collection System with any tool.

It is the responsibility of the purchaser of this product to ensure that any person using this product reads and complies with all instructions and safety precautions outlined in this manual and the operating manual of the tool being used prior to use.

⚠ WARNING

Some dust created by operation of power tool contains chemicals known to the State of California to cause cancer, birth defects or other reproductive harm. To reduce your exposure to these chemicals, work in a well ventilated area and work with approved safety equipment. Always wear OSHA/NIOSH approved, properly fitting face mask or respirator when using such tools.

⚠ CAUTION

Do not modify or use Router Table Dust Collection System for any application other than that for which it was designed.

FOLLOW ALL STANDARD SHOP SAFETY PRECAUTIONS, INCLUDING:

- Keep children and visitors at a safe distance from work area.
- Keep work area clean. Cluttered work areas invite accidents. Work area should be properly lit.
- Do not use power tools in dangerous environments. Do not use power tools in damp or wet locations. Do not expose power tools to rain.
- **TURN OFF AND UNPLUG** all power tools **BEFORE** making any adjustments or changing accessories.
- Be alert and think clearly. Never operate power tools when tired, intoxicated or when taking medications that cause drowsiness.
- Wear proper apparel. Do not wear loose clothing, gloves, neckties, rings, bracelets or other jewelry which may get caught in moving parts of the tool.
- Wear protective hair covering to contain long hair.
- Wear safety shoes with non-slip soles.
- Wear safety glasses complying with United States ANSI Z87.1. Everyday glasses have only impact resistant lenses. They are **NOT** safety glasses.
- Wear face mask or dust mask if operation is dusty.
- A guard or any other part that is damaged should be properly repaired or replaced. Do not perform makeshift repairs.
- Use safety equipment such as featherboards, push sticks and push blocks, etc., when appropriate.
- Maintain proper footing at all times and do not overreach.
- Do not force woodworking tools.

⚠ CAUTION

Think safety! Safety is a combination of operator common sense and alertness at all times when tool is being used.

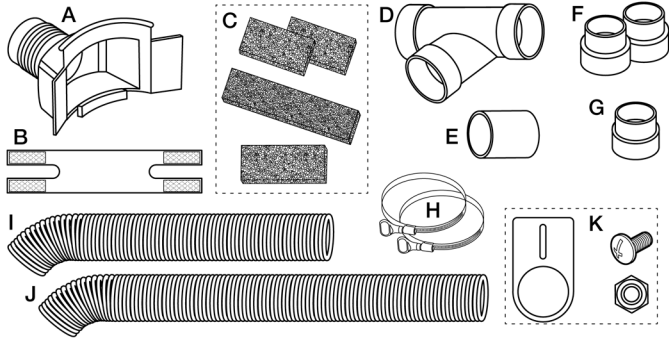
⚠ WARNING

Do not use the Router Table Dust Collection System until it is completely assembled and you have read and understood this entire operating manual and the operating manual of the tool being used with Router Table Dust Collection System.

SAVE ALL WARNINGS AND INSTRUCTIONS FOR FUTURE REFERENCE.

UNPACKING

Refer to Figure 1



NOTE: Check for shipping damage. Check immediately whether all parts and accessories are included.

ITEM	DESCRIPTION	QTY
A	Rubber Air Intake	1
B	Securing Strap	1
C	Foam Strips (set of 4)	1
D	2-1/2" Y-Fitting	1
E	2-1/2" Splice	1
F	Reducer 2-1/2" to 1-1/2"	2
G	Reducer 2-1/4" to 1-1/2"	1
H	1-1/2" Band Clamps	2
I	EVA Hose 2-ft	1
J	EVA Hose 3-ft	1
K	Steel Hose Support Kit (screw and washer attached)	1

ASSEMBLY NOTE: Reference Figure 2 as needed.

Figure 2

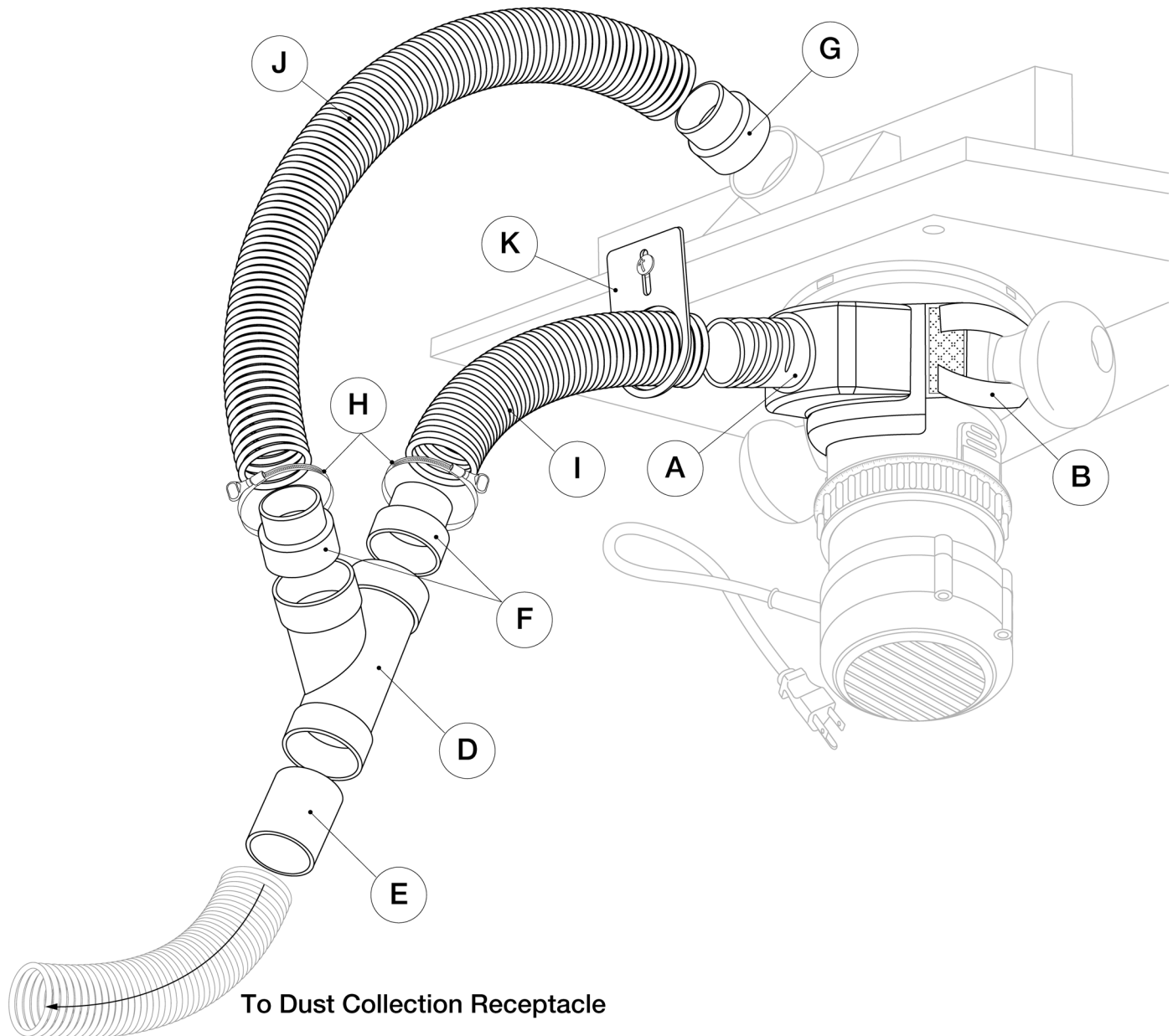
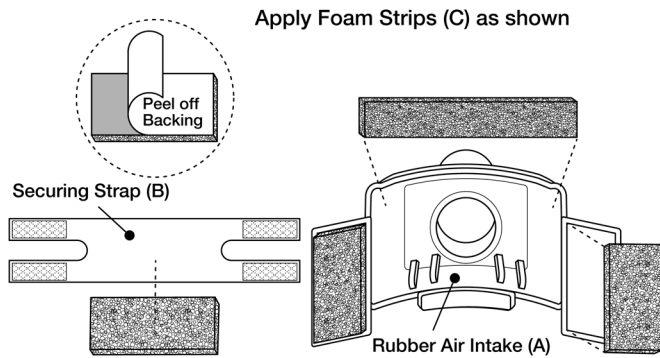


Figure 3

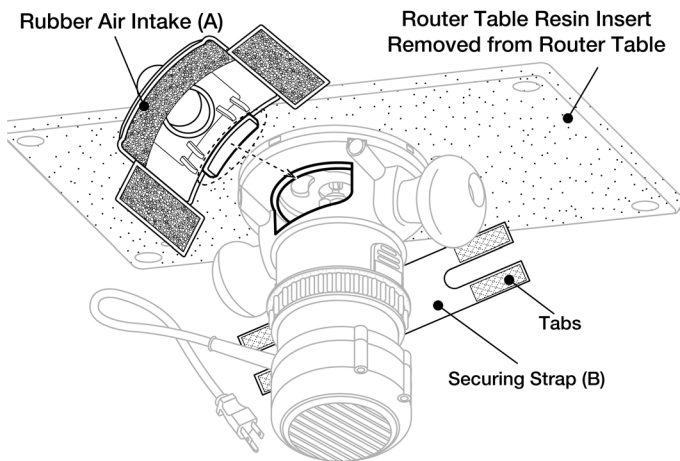


CAUTION Ensure Router is unplugged.

1. See Figure 4. Remove the router table main Resin insert (with the router base attached) from the router table. Fasten Air Intake (A) using Securing Strap (B). Carefully place two tabs around one handle and press together hook & loop to secure. Do the same for the other side pulling as tight as possible, press to secure.

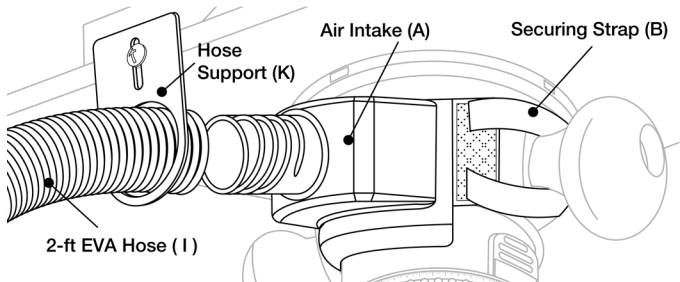
NOTE: For best results position router with lock-lever to front away from rear discharge port of router.

Figure 4



2. See Figure 5. Feed 2-ft. EVA Hose (I) through Hose Support (K) and gently twist hose onto threads of Air Intake (A).

Figure 5

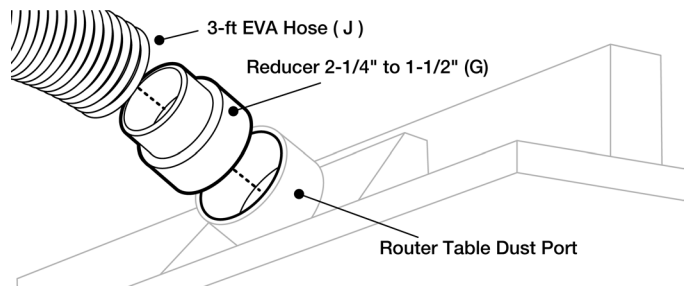


3. Place the main resin insert back into the router table and secure following your router table instructions.
4. Attach Steel Hose Support (K) centering with the dust port.

Note: If attaching to a router table with metal tie bars, drill a 11/64" hole and attach with included screw and nut. If attaching directly to the edge of the table, an appropriate wood screw will be required.

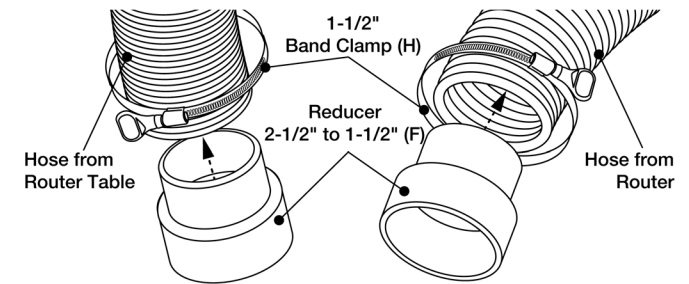
5. See Figure 6. Using 2-1/4" to 1-1/2" Reducer (G) push it into the dust port outlet on the router table. Attach 3-ft EVA Hose (J) to Reducer (G)

Figure 6



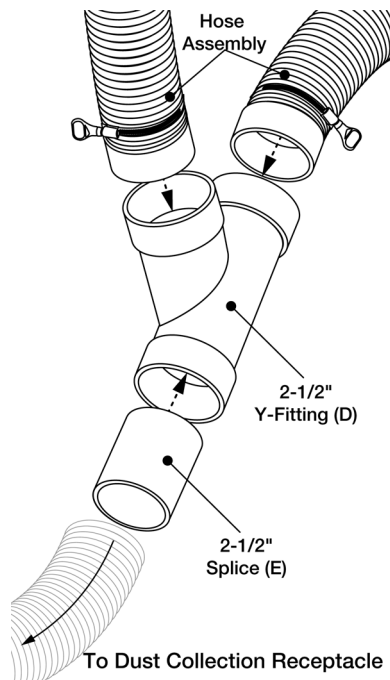
6. See Figure 7. Slip a 1-1/2" Band Clamp (H) onto each hose from router and router table, do not tighten at this time. Insert Reducer 2-1/2" to 1-1/2" (F) into the end of each hose. Now tighten the Band Clamps (H).

Figure 7



7. See Figure 8. Insert Reducers into 2-1/2" Y-Fitting (D). Next, insert 2-1/2" Splice (E) into base of 2-1/2" Y-Fitting (D).

Figure 8



Note: The kit, as configured, connects to a dust collection system using a 2-1/2" ID flexible dust collection hose. (This hose and band clamp are not included).

 **WARNING**

When servicing, use only identical replacement parts. Use of any other parts may create a hazard or cause product damage. To ensure safety and reliability, all repairs should be performed by a qualified service technician.

 **WARNING**

Keep the Router Table Dust Collection System dry, clean, and free from oil and grease. Always use a clean cloth when cleaning. Never use brake fluids, gasoline, petroleum-based products or any strong solvent to clean the Router Table Dust Collection System. Chemicals can damage, weaken or destroy plastic which may result in serious personal injury.

Visit us on the web at www.powertecproducts.com



Put these instructions and the original sales invoice in a safe, dry place for future reference.

Southern Technologies, LLC
Chicago, IL 60606