

# POWERTEC®

## 4" Dust Collection Network



### IMPORTANT SAFETY INSTRUCTIONS

This system is designed to be used with a vacuum cleaner/dust extractor with at least 100 CFM. Always follow basic safety precautions including the following.

#### **WARNING**

For your own safety, read and understand all warnings and operating instructions before using any tool or equipment.

It is the responsibility of the purchaser of this product to ensure that any person using this product reads and complies with all instructions and safety precautions outlined in this manual prior to use.

#### **WARNING**

Some dust created by operation of power tool contains chemicals known to the State of California to cause cancer, birth defects or other reproductive harm. Always wear OSHA/NIOSH approved, properly fitting face mask or respirator when using such tools. To reduce your exposure to these chemicals, work in a well ventilated area and work with approved safety equipment.

#### **WARNING**

Failure to follow these rules may result in serious personal injury. Remember that being careless for even a fraction of a second can result in severe personal injury.

#### **WARNING**

- Read, understand and follow the owner's manual and all labels on the tools, vacuum cleaner/dust extractor and this dust collection network before operating. Use ONLY as described in the manuals. To avoid personal injury or damage to vacuum cleaner/dust extractor use only recommended attachments.
- Keep children and visitors at a safe distance from work area.
- Wear eye protection. Always use safety glasses. Eye protection equipment should comply with ANSI Z87.1 standards.
- Keep work area clean and well-lighted. Cluttered work areas invite accidents.
- Do not use power tools in dangerous environments.
- Do not use power tools in damp or wet locations.
- Wear proper apparel. Do not wear loose clothing, gloves, neckties, rings, bracelets or other jewelry which may get caught in moving parts of the tool.
- Wear protective hair covering to contain long hair.
- Wear safety shoes with non-slip soles.

#### **WARNING**

**Risk of fire or explosion. To reduce the risk:**

- ALWAYS turn off machine before removing obstructions.
- Do not vacuum up anything that is burning or smoking, such as cigarettes, matches, or hot ashes.
- Do not use to vacuum combustible explosive materials, such as coal, grain, or other finely divided combustible material.
- Do not use to vacuum hazardous, toxic or carcinogenic materials, such as asbestos or pesticide.
- Never vacuum up explosive liquids (e.g. gasoline, diesel fuel, heating oil, paint thinner, etc.), acids or solvents.
- Empty vacuum cleaner/dust extractor canister often.

#### **WARNING**

To avoid serious injury, turn off and unplug all machinery before attaching or changing accessories or adjusting any part of the Dust Collection Network.

#### **CAUTION**

Think safety! Safety is a combination of operator common sense and alertness at all times when tool is being used.

#### **WARNING**

Do not attempt to operate tool until it is completely assembled according to the instructions.

#### **WARNING**

Metal shavings or dust can set sawdust on fire. Collect wood materials only. Do not collect metal shavings or dust with anything that has metal in it. Disconnect dust collector system from any tool before working on metals. Remove all traces of wood dust from inside that tool's dust traps. Remove all traces of metal shavings or dust before reconnecting the vacuum/dust collector.

#### **CAUTION**

If using this Dust Collection Network to help keep airborne wood dust in heavy usage within acceptable limits, you must regularly monitor airborne dust and maintain the Dust Collection Network to avoid exceeding dust limits. Each application is unique. The maintenance schedule must be for the specific Dust Collection Network being used.

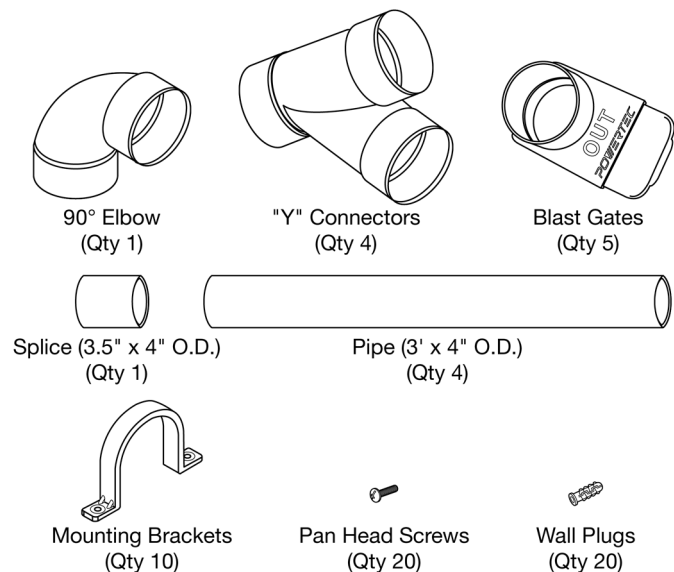
**IMPORTANT:** Always ensure the dust collection network is properly grounded. If in doubt, contact an electrician.

**SAVE ALL WARNINGS AND INSTRUCTIONS  
FOR FUTURE REFERENCE**

## UNPACKING Refer to Figure 1

- Examine shipping carton for freight damage before opening. If shipping carton is damaged file a claim with the carrier immediately.
- Carefully remove all contents from shipping carton. The shipping carton contains:

Figure 1



**NOTE:** Contact the customer service center if any of these parts are missing.

**NOTE:** After unit is assembled dispose of all packaging material in an environmentally safe way.

## INSTALLATION Refer to Figures 1 to 6

### Tools Needed: (not included)

- Electric Drill
- 1/4" Drill Bit
- 1/4" Masonry Bit
- Screwdriver
- Pipe Cutter or Hacksaw with blades recommended for cutting plastic.

### Additional Parts Needed: (not included)

4" Flexible dust collection hose, hose clamps and any additional adapters, specific to your application.

## ASSEMBLY

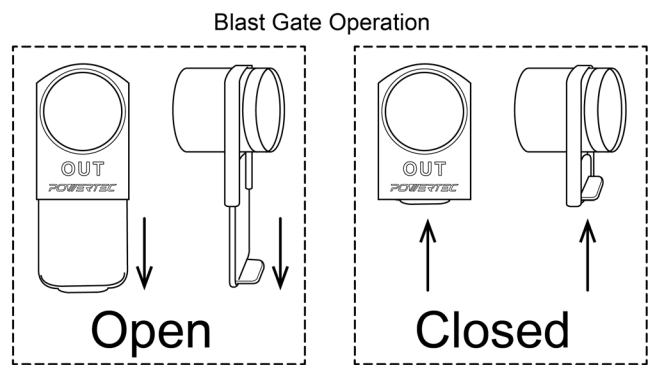
- Plan the shop floor layout before installing the Dust Collection Network.
- The clear plastic components assemble with a snug friction fit and do not require glue or special tools for assembly.
- The clear sections allow the user to see and remove blockages quickly and easily at any point in the system.

## WARNING

Risk of serious bodily injury. ALWAYS turn off machine before removing obstructions.

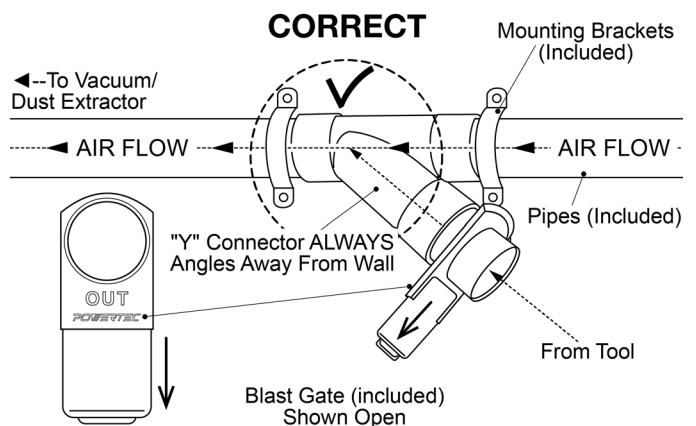
- The outside pipe joints may be wrapped in duct tape to improve the vacuum seal.
- Make the best use of the 3' length pipes. The pipes can be cut to size using a pipe cutter or hack saw with blades recommended for cutting plastic. Make sure all cuts are 90° and smooth.

Figure 2



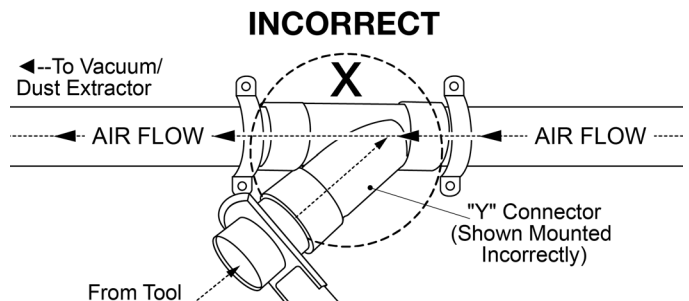
- Assemble a "Y" connector and a blast gate.
- Always assemble the blast gates at the end of the "Y" connector directed toward the tool.
- When mounting the "Y" connectors to the wall always angle the "Y" connector away from the wall to allow clearance for the Blast Gate.
- **IMPORTANT:** The OUT on the blast gate MUST be oriented toward the "Y" connector.
- Figure 3 shows the **CORRECT** assembly for the "Y" connectors with the air flowing toward the vacuum/dust extractor.

Figure 3



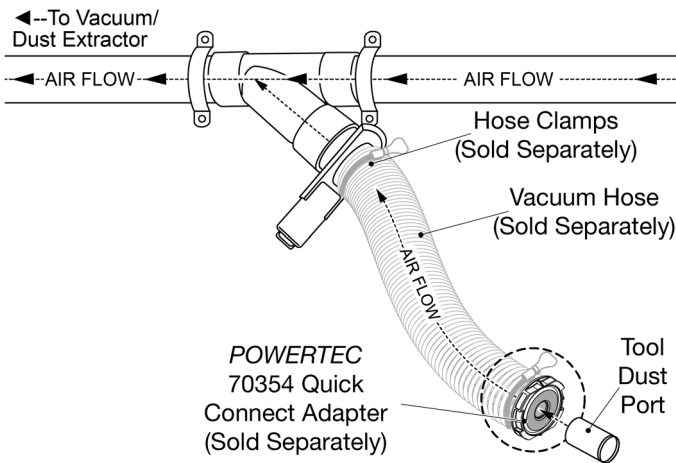
- Figure 4 shows an **INCORRECT** assembly of the "Y" connectors.

Figure 4



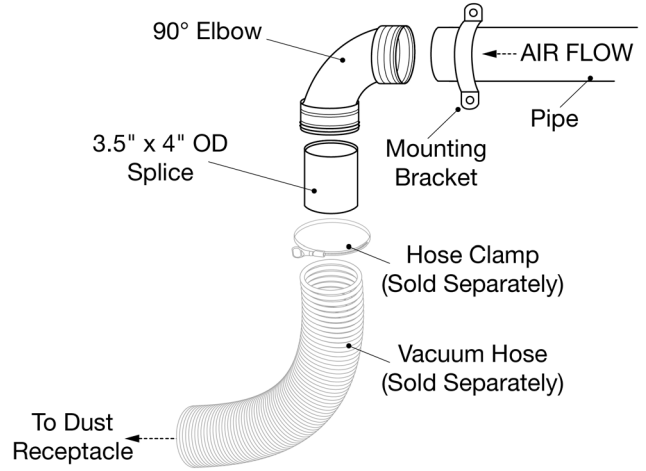
- See Figure 5. Connect a 4" ID vacuum hose (not included) from the Blast Gate to the tool. Figure 5 shows using POWERTEC 70354 Quick Adapter (sold separately).

**Figure 5**



- See Figure 6. Complete network by attaching the 90° Elbow onto the pipe. Add the included 3.5" Splice to the elbow. Slide a Hose Clamp (not included) over the splice then fit the vacuum hose (not included) onto the splice. Position hose clamp over the vacuum hose, tighten the clamp. Attach the vacuum hose to the Dust Receptacle.

**Figure 6**



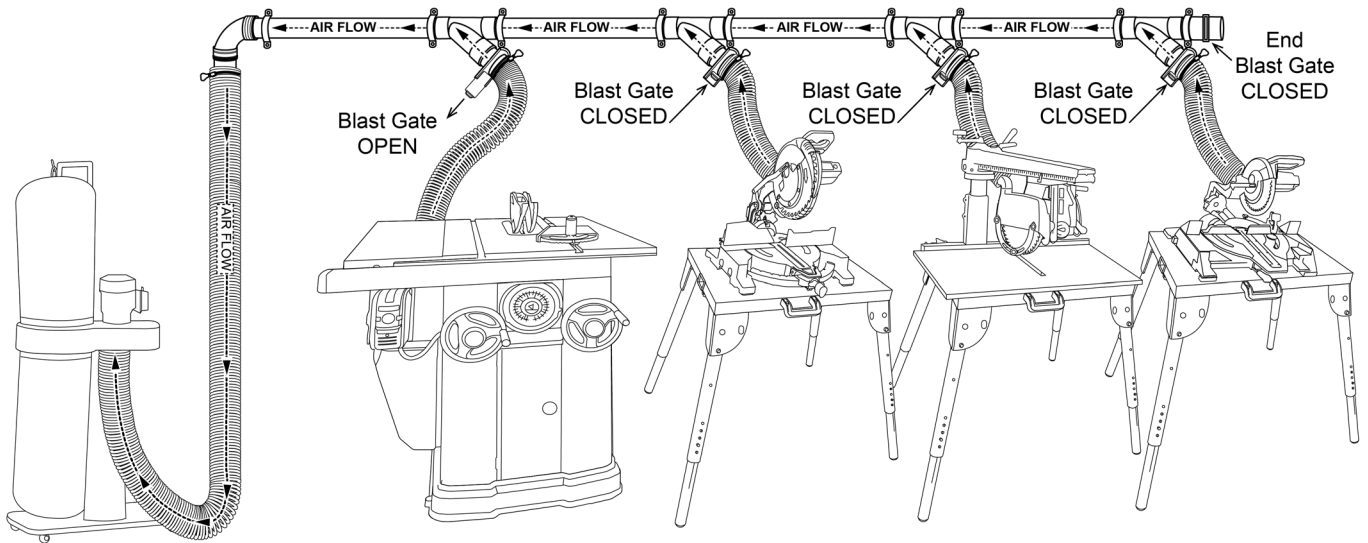
## SHOP SETUP EXAMPLE

See Figure 7. Example of a Dust Collection Network setup.

**NOTE:** The vacuum/dust extractor must have at least 100 CFM.

- Jointers and planers should be positioned closest to the vacuum/dust extractor for best performance.
- Assemble a blast gate at the end of the dust collection network.

**Figure 7**



- For best performance of the network close all of the blast gates except for the one attached to the tool being used. Figure 3 shows the blast gates in the Open and Closed positions.
- Assemble the vacuum/dust extractor connector to the dust collection network and then to the vacuum hose of a vacuum/dust extractor.

## Want a fast convenient way to swap tools on your Dust Collection Network?

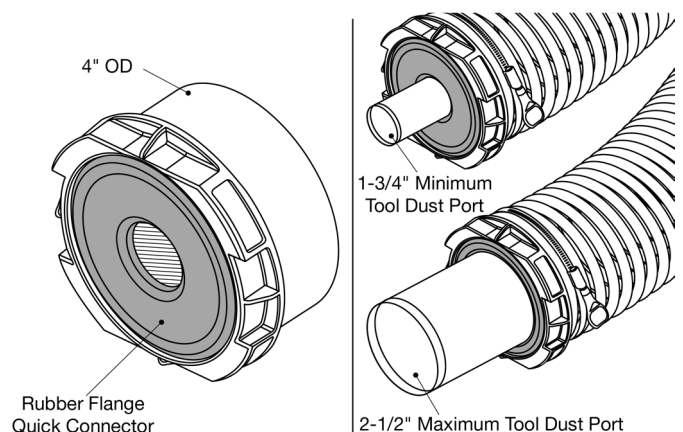
Consider adding a **POWERTEC 70354** 4-inch Quick Connect Dust Port Adapter (sold separately) to each station.

**Easy to Use:** Quickly connect or disconnect the tools dust port outlet when using the **POWERTEC 70354** 4" Quick Connect Dust Port Adapter.

**Handles Multiple Size Ports:** The **POWERTEC 70354** Quick Connect Dust Port Adapter, when attached to a 4" ID vacuum hose, can handle connection ports from 1-3/4" OD to 2-1/2" OD.

**Flexible, Durable Materials:** The flange is very elastic and seals well around tool ports ranging from 1-3/4" OD to 2-1/2" OD making this a useful adapter for 4" vacuum hoses. The Adapter body is made of durable heavy duty plastic.

**Figure 8**



## GENERAL MAINTENANCE

### **WARNING**

When servicing, use only identical replacement parts. Use of any other parts may create a hazard or cause product damage. To ensure safety and reliability, all repairs should be performed by a qualified service technician.

### **WARNING**

Keep the Dust Collection Network dry, clean, and free from oil and grease. Always use a clean cloth when cleaning. Never use brake fluids, gasoline, petroleum-based products or any strong solvent to clean the Dust Collection Network. Chemicals can damage, weaken or destroy plastic which may result in serious personal injury.

Visit us on the web at [www.powertecproducts.com](http://www.powertecproducts.com)



Put these instructions and the original sales invoice in a safe, dry place for future reference.

Southern Technologies, LLC • Chicago, IL 60606