

## INSTRUCTION SHEET

# DuBois®

MODEL NO. 51035

## Adjustable Flip Stop 1" to 3-1/2"



### PACKAGING CONTENTS

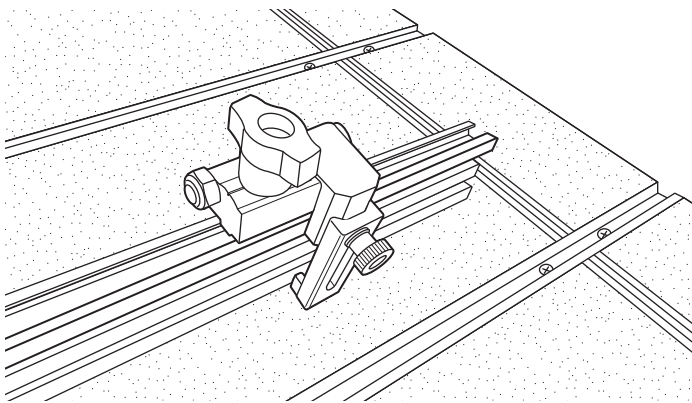
Adjustable Flip Stop (one set)

### TO USE

DuBois Adjustable flip stop works with all Powertec and most other brands of Universal T-Tracks. This Adjustable Flip Stop is extremely versatile and quickly converts to outboard position for a variety of applications. The wedge design reduces any slop or side movement. The height of flip arm can be adjusted from 1" to 3-1/2". In addition, the flip arm can be moved from right to left to match your feed direction requirements.

- **In the inboard position**, the stop works with single wide multi track fences and functions as an easily adjustable stop. See Figure 1.

Figure 1



- **In the outboard position**, the body rotates and the flip arm moves out. In this position the stop can work with multi track fences and sacrificial wood boards. When combined with this option, the fence flip stop can turn your homemade fence into an accurate stop system. It also works with the 71131 Powertec Vertical Mount T-Track with Scale. See Figure 2 and 3.

Figure 2

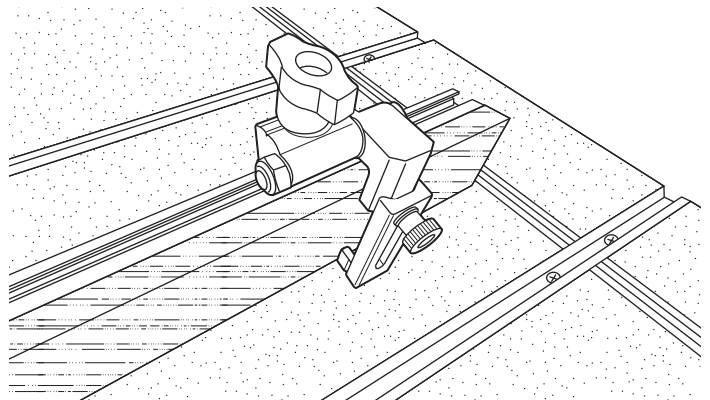
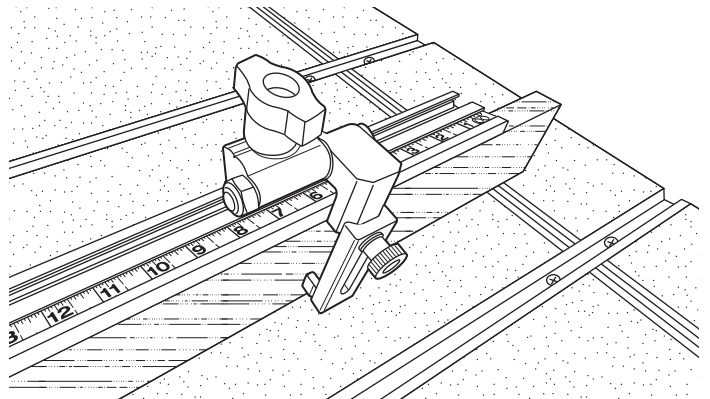


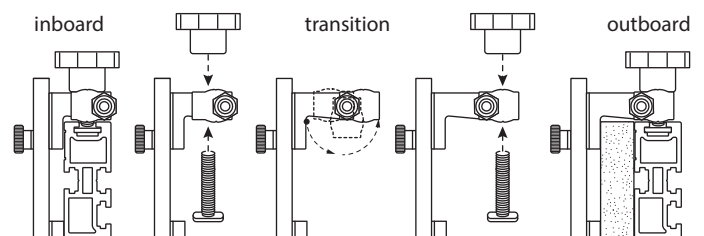
Figure 3



### To Convert from Inboard to Outboard Position

Remove the wing knob and T-Bolt and rotate the stop body 180°. Replace the wing knob and T-bolt. See Figure 4.

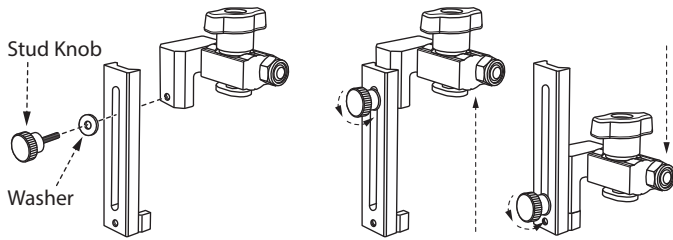
Figure 4



## To Adjust the Height of Flip Arm

Loosen the stud knob. Slide the flip arm to the position to match your height requirement, and then tighten the knob. Make sure the washer is between the flip arm and stud knob. The height of the flip arm can be adjusted from 1" to 3-1/2". See Figure 5.

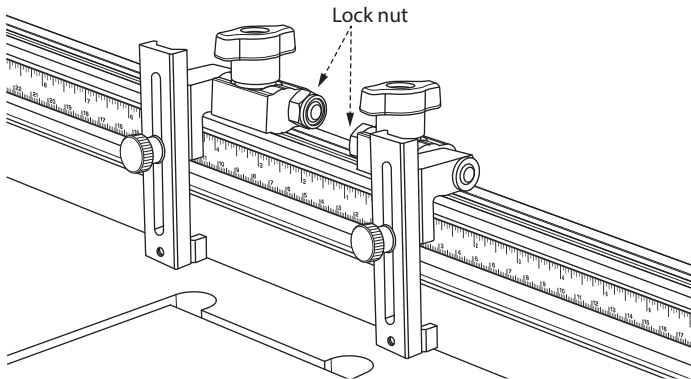
Figure 5



## To Move the Flip Arm

Remove the lock nut and reposition the flip arm assembly to the required side of the body. Make sure nylon washer is between the flip arm and body and replace lock nut. See Figure 6.

Figure 6



## GENERAL MAINTENANCE

### ⚠ WARNING

When servicing, use only identical replacement parts. Use of any other parts may create a hazard or cause product damage. To ensure safety and reliability, all repairs should be performed by a qualified service technician.

### ⚠ WARNING

Keep the adjustable flip stop dry, clean, and free from oil and grease. Always use a clean cloth when cleaning. Never use brake fluids, gasoline, petroleum based products or any strong solvent to clean the adjustable flip stop. Chemicals can damage, weaken or destroy plastic which may result in serious personal injury.

# DuBois®

Visit us on the web at [www.powertecproducts.com](http://www.powertecproducts.com)



Put these instructions and the original sales invoice in a safe, dry place for future reference.

Southern Technologies, LLC  
Chicago, IL 60606