

POWERTEC®



T-TRACKS & ACCESSORIES

2023 PRODUCT CATALOG

Table of Contents

04



**Double-Cut Profile
Universal T-Track**

10



**Miter
T-Track and T-Bar**

12



Heavy Duty T-Track

14



**Combo
T-Track Miter Track**

16



Multi T-Track

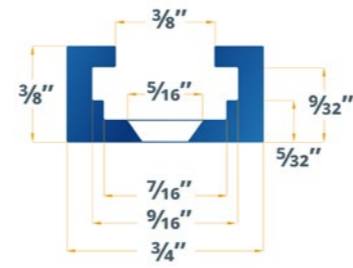
18



**Clamps, Stops
and Other Accessories**

Double-Cut Profile Universal T-Track

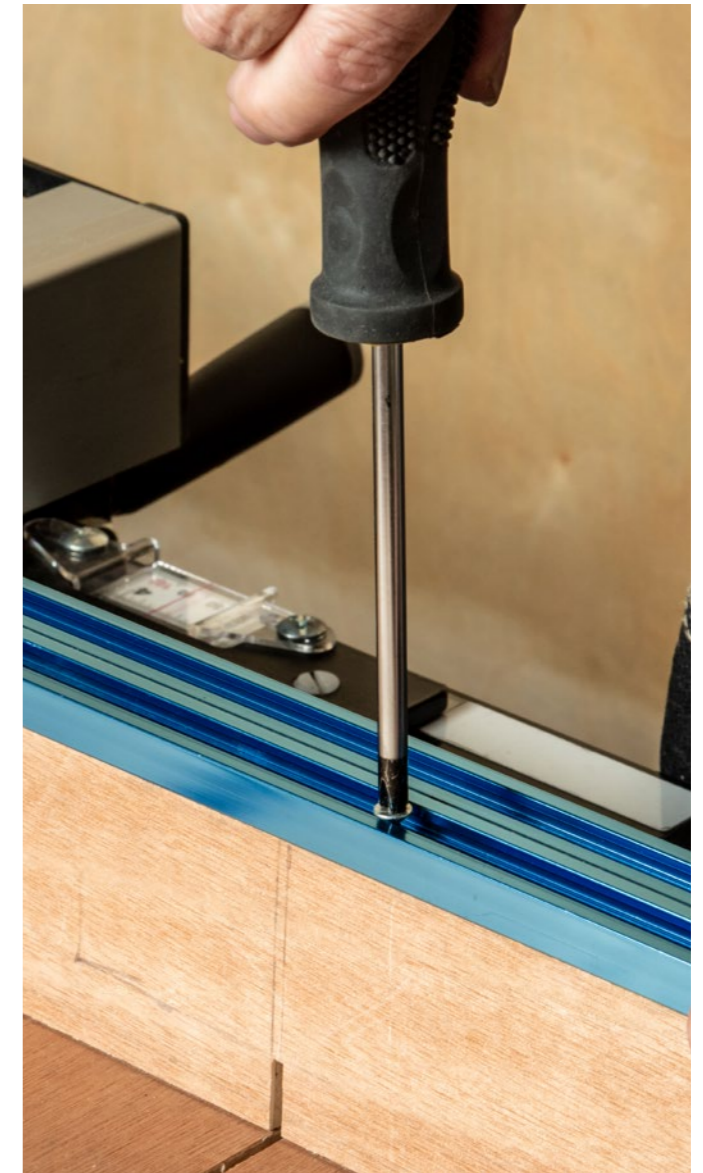
Optimize your workbench with Double-Cut Profile Universal T-Track. If jigs and clamps are the extra hands, then Universal T-Tracks are the arms allowing you to position track accessories anywhere across your workbench.



71065
24" Universal T-Track



71493
Double-Cut Profile Universal T-Track with Intersection Kit



Versatile design: Universal T-Track is designed to accommodate 5/16" and 1/4" T-Bolts as well as 1/4" Hex Bolts.

24" Universal T-Tracks

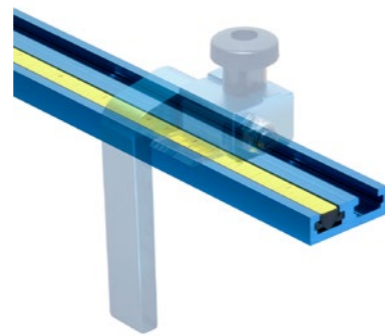
SKU	Includes	Product	Predrilled
71065	1 PK	(1) 24" Universal T-Track	6 Holes Per Track
71118	2 PK	(2) 24" Universal T-Tracks	6 Holes Per Track
71371	4 PK	(4) 24" Universal T-Tracks	6 Holes Per Track
71493	1 SET	(2) 24" Universal T-Tracks, (1) Intersection Kit, (20) Woodscrews	6 Holes Per Track
71711	1 SET	(2) 24" Universal T-Tracks, (1) Intersection Kit	6 Holes Per Track



71133
36" Double T-Track



71131
36" Double T-Track Fence Cap Kit



71697
36" Double Top T-Track Extrusion Kit



71158
48" Universal T-Tracks



71168
5-1/2" x 1-1/8" Hold-Down Clamps



71170
48" Universal T-Track Kit with Knob Kits



If your project needs to be locked in place for cutting, sanding, painting, varnishing, etc., you'll find T-Tracks and T-Track Accessories invaluable.



36" Universal T-Tracks

SKU	Includes	Product	Predrilled
71066	1 PK	(1) 36" Universal T-Track	9 Holes Per Track
71119	2 PK	(2) 36" Universal T-Tracks	9 Holes Per Track
71372	4 PK	(4) 36" Universal T-Tracks	9 Holes Per Track
71494	1 SET	(2) 36" Universal T-Tracks, (1) Intersection Kit, (20) Woodscrews	9 Holes Per Track
71712	1 SET	(2) 36" Universal T-Tracks, (1) Intersection Kit	9 Holes Per Track
71131	1 SET	(1) 36" Double T-Track Fence Cap, (1) 48" Steel Measuring Tape, (1) 36" Plastic Insert, (1) Clear Acrylic Cursor with Hairline Indicator"	9 Holes Per Track
71133	1 PK	(1) 36" Double T-Track	9 Holes Per Track
71697	1 SET	(1) 36" Double Top T-Track Extrusion, (1) 48" Steel Measuring Tape, (1) 36" Plastic Insert, (1) Clear Acrylic Cursor with Hairline Indicator	9 Holes Per Track

48" Universal T-Tracks

SKU	Includes	Product	Predrilled
71067	1 PK	(1) 48" Universal T-Track	12 Holes Per Track
71158	2 PK	(2) 48" Universal T-Tracks	12 Holes Per Track
71373	4 PK	(4) 48" Universal T-Tracks	12 Holes Per Track
71713	1 SET	(2) 48" Universal T-Tracks, (1) Intersection Kit	12 Holes Per Track
71495	1 SET	(2) 48" Universal T-Tracks, (1) Intersection Kit, (32) Woodscrews	12 Holes Per Track
71169	1 SET	(1) 48" Universal T-Track, (2) 5-1/2" x 1-1/8" Hold-Down Clamps	12 Holes Per Track
71170	1 SET	(1) 48" Universal T-Track, (2) 1" T-Bolts, (2) 1-1/2" T-Bolts, (2) 2-1/2" T-Bolts, (2) 3-1/2" T-Bolts, (4) 5-Star Knobs, (4) 2" T-Knobs	12 Holes Per Track



71183

T-Track Table Top



71361

T-Track Wooden Table Top



71331

48" T-Track Tape Measure Kit



71163

4' Self Adhesive Tape Measure

T-Track Table Tops

SKU	Product	Tabletop Dimensions	T-Track Dimensions
71183	(1) T-Track Table Top	28" x 40" x 1-1/8" Thick	3/4" Wide x 3/8" Deep
71361	(1) T-Track Wooden Table Top	28" x 40" x 1-1/8" Thick	3/4" Wide x 3/8" Deep

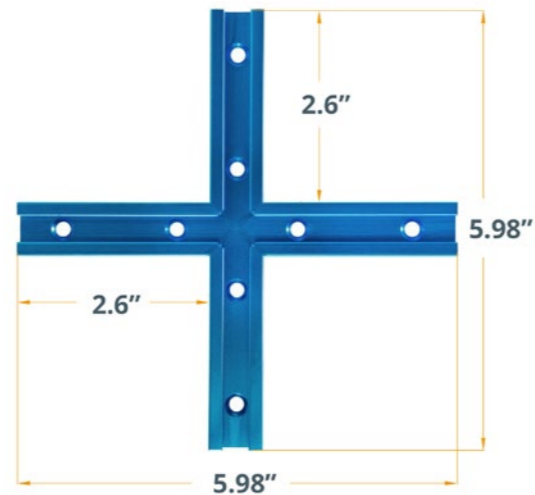
T-Track Tape Measures

SKU	Includes	Product	Specs
71331	1PK	Universal T-Track Adhesive Tape Measure, Left to Right	48" (4')
71134	1PK	Self-Adhering Tape Measure, Right to Left	48" x 5/16" x 1/128"
71163	1PK	Self-Adhering Tape Measure, Left to Right	48" x 5/16" x 1/128"



71209

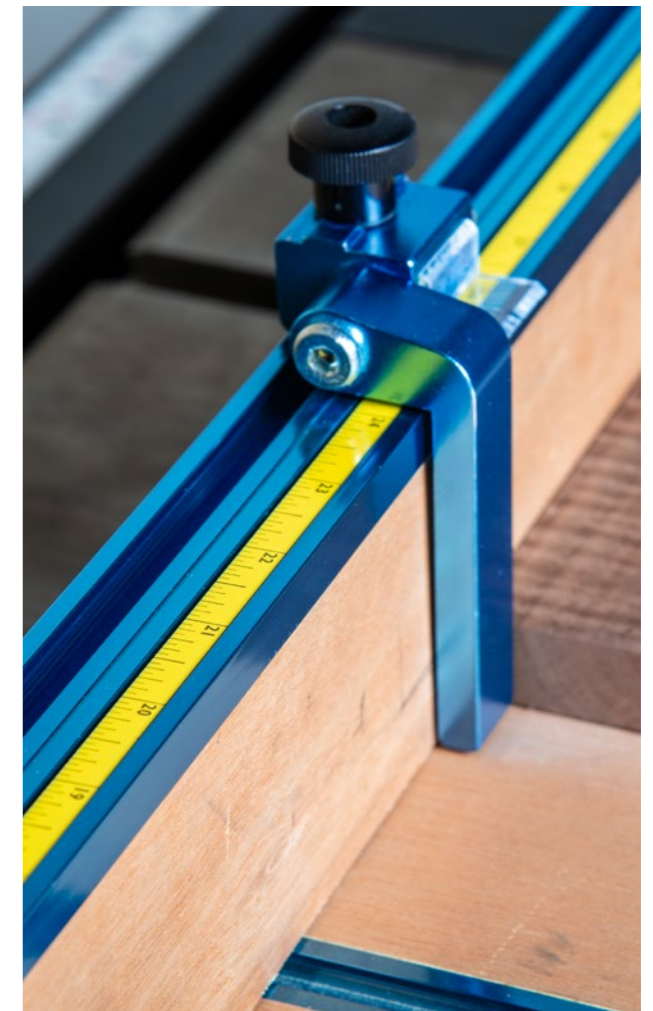
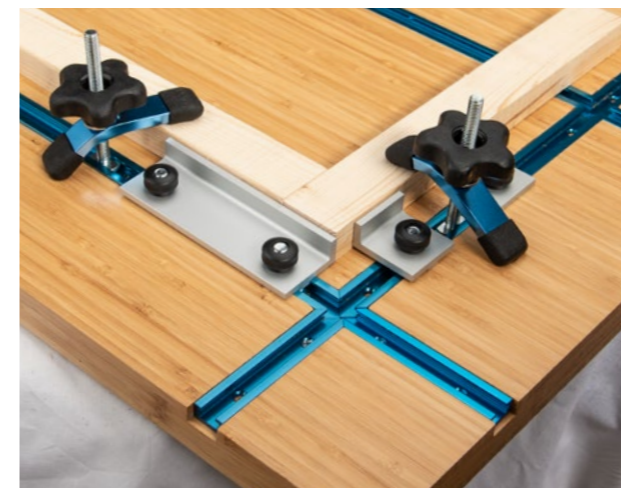
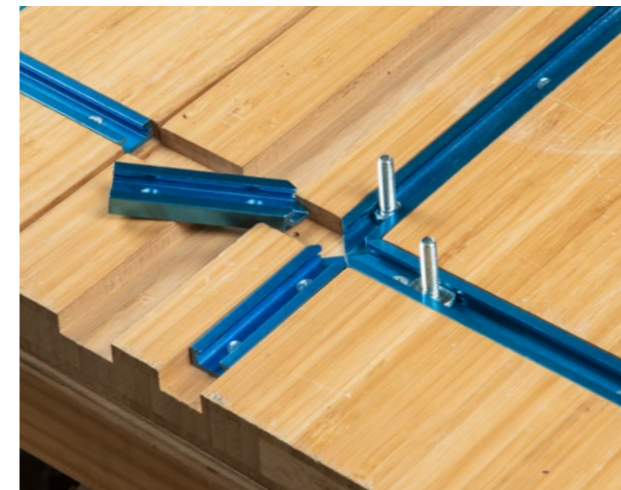
Intersection Kit with Wood Screws



Specifications

Intersection Kits

SKU	Includes	Product	Individual Track Specs	Predrilled
71609	1 SET	(4) T-Track Segments	3" L x 3/4" W x 3/8" D	2 Holes Per Segment
71698	2 SETS	(8) T-Track Segments	3" L x 3/4" W x 3/8" D	2 Holes Per Segment
71609-P4	4 SETS	(16) T-Track Segments	3" L x 3/4" W x 3/8" D	2 Holes Per Segment
71209	1 SET	(4) T-Track Segments, (8) Woodscrews	3" L x 3/4" W x 3/8" D	2 Holes Per Segment
71704	2 SETS	(8) T-Track Segments, (16) Woodscrews	3" L x 3/4" W x 3/8" D	2 Holes Per Segment



Miter T-Track and T-Bars

Build table-saw sleds, router tables, bandsaw guides or just about any jig that is required to keep stock in place or precisely fed through a cutter. POWERTEC Miter T-Track works with 3/4" x 3/8" miter gauges. Homemade jigs will slide smoothly and effortlessly, yet still stay securely in place with little-to-no play.



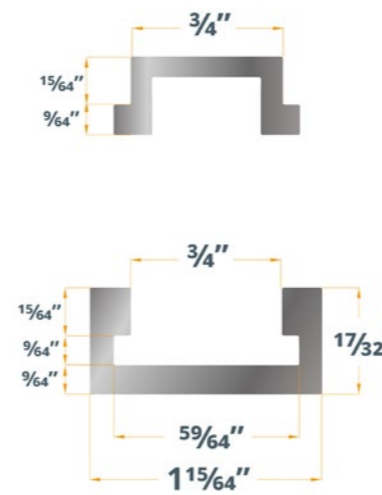
71566
32" Standard Miter T-Track



71567
32" Aluminum Miter T-Bar



71568
32" Miter T-Track with Miter T-Bar



Specifications



32" Miter T-Tracks & T-Bars

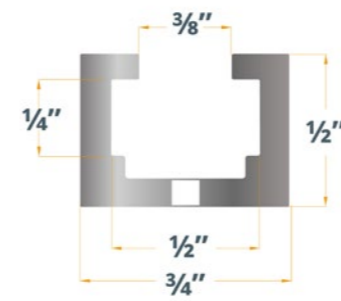
SKU	Includes	Product	Predrilled
71566	1 PK	(1) 32" Miter T-Track	No Predrilled Holes
71566-P2	2 PK	(2) 32" Miter T-Tracks	No Predrilled Holes
71567	1 PK	(1) 32" Miter T-Bar	No Predrilled Holes
71568	1 SET	(1) 32" Miter T-Track, (1) 32" Miter T-Bar	No Predrilled Holes

48" Miter T-Tracks & T-Bars

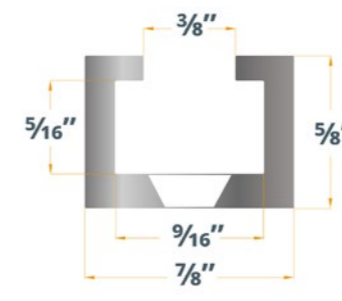
SKU	Includes	Product	Predrilled
71167	1 PK	(1) 48" Miter T-Track	No Predrilled Holes
71167-P2	2 PK	(2) 48" Miter T-Tracks	No Predrilled Holes
71167-P4	4 PK	(4) 48" Miter T-Tracks	No Predrilled Holes
71146	1 PK	(1) 48" Miter T-Bar	No Predrilled Holes
71156	1 SET	(1) 48" Miter T-Track, (1) 48" Miter T-Bar	No Predrilled Holes
71156-P2	2 SETS	(2) 48" Miter T-Tracks, (2) 48" Miter T-Bars	No Predrilled Holes

Heavy Duty T-Track

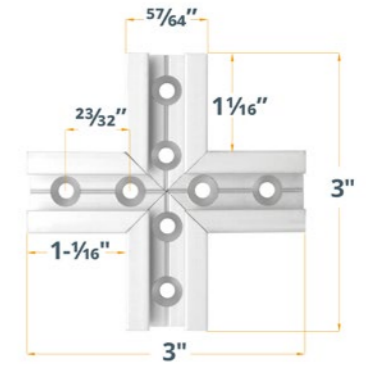
POWERTEC Heavy-Duty Track accepts 1/4"-20 Hex Bolts which means it is compatible with most of our Universal T-Track accessories. If the T-Track accessory comes with T-Slot Bolts, check to see if it can be switched out for 1/4"-20 Hex Bolts (contact us if you have any questions). It is important to note that unlike Universal T-Track, Heavy Duty T-Track is not standardized across different manufacturers.



1/4" Track Specifications



3/8" Track Specifications



T-Track Intersection Specifications



71374
18" Heavy Duty T-Track



71378
24" Heavy Duty T-Track



71415
Intersection Kit with Wood Screws

Another thing to watch for is how they are mounted. POWERTEC's two types of heavy-duty track, 71374 & 71378, both require a larger dado than for Universal T-Track. This means that while Universal can be mounted on 3/4" board, the two heavy-duty tracks will need a thicker base.

1/4" Heavy Duty T-Tracks

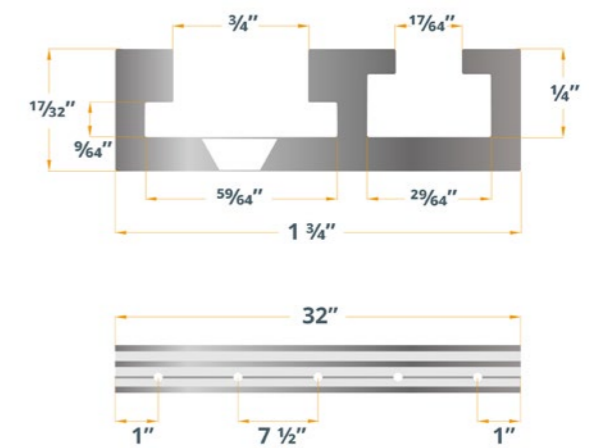
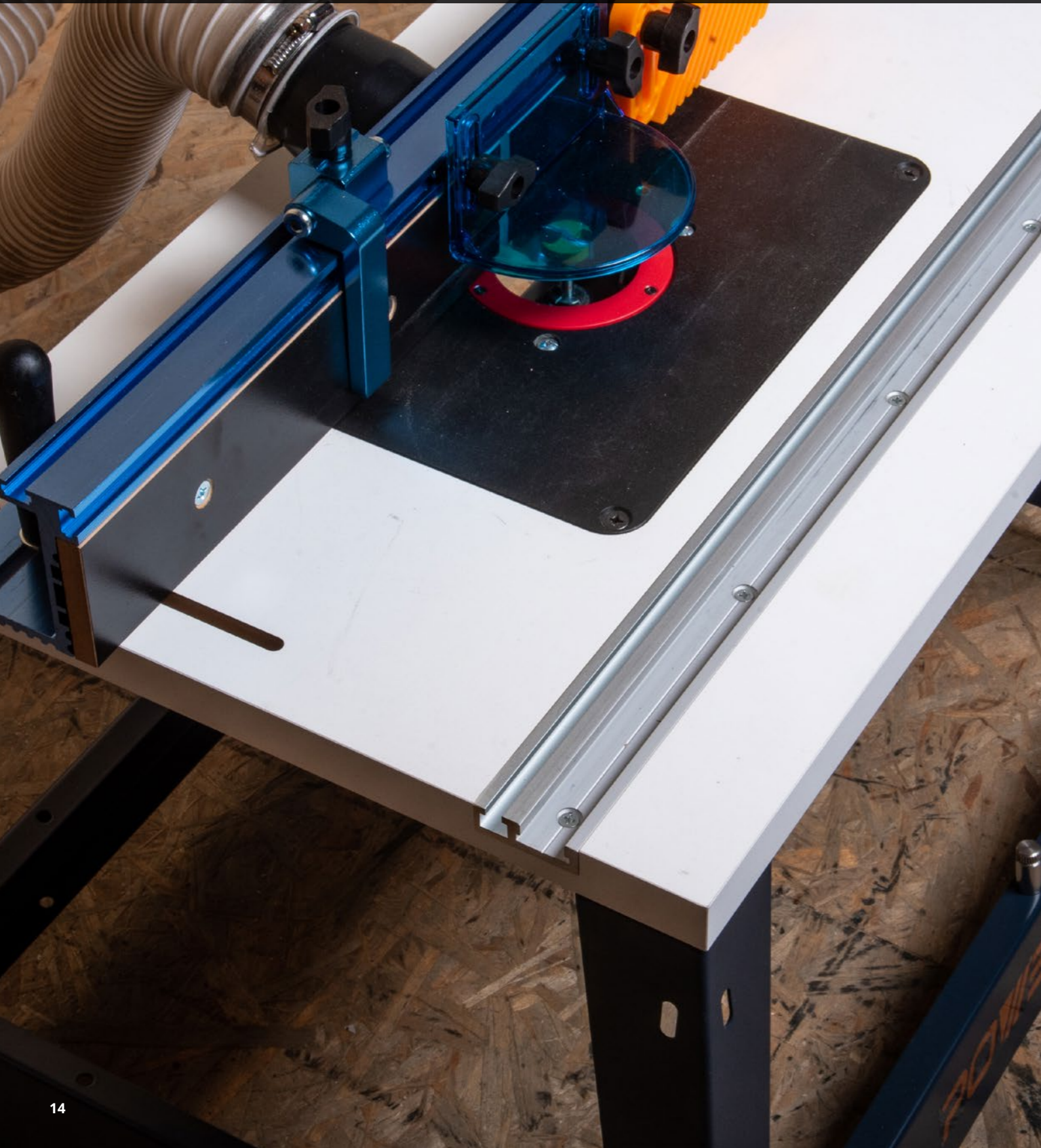
SKU	Includes	Product	Predrilled
71374	1 PK	(1) 18" Heavy Duty T-Track	6 Holes Per Track
71375	1 PK	(1) 24" Heavy Duty T-Track	8 Holes Per Track
71351	1 PK	(1) 48" Heavy Duty T-Track	16 Holes Per Track

3/8" Heavy Duty T-Tracks

SKU	Includes	Product	Predrilled
71378	1 PK	(1) 24" Heavy Duty T-Track	5 Holes Per Track
71378-P2	2 PK	(2) 24" Heavy Duty T-Tracks	5 Holes Per Track
71379	1 PK	(1) 48" Heavy Duty T-Track	10 Holes Per Track
71379-P2	2 PK	(2) 48" Heavy Duty T-Tracks	10 Holes Per Track
71415	1 SET	(1) 3" x 3" Intersection Kit for 3/8" Tracks, (8) Woodscrews	8 Holes Per Track

Combo T-Track Miter Track

The best of both worlds, a Miter Track and a T-Track side-by-side. This track is often found on DIY router tables or drill press tops. One side of this track is to slide jigs or a miter bar, the other side is for mounting clamps and other hold-in-position jigs.



71359

32" Combo T-Track Miter T-Track

Specifications



32" & 48" Combo T-Track Miter Tracks

SKU	Includes	Product	Predrilled
71359	1 PK	(1) 32" Combo T-Track and Miter T-Track	5 Holes
71365	1 PK	(1) 48" Combo T-Track and Miter T-Track	7 Holes

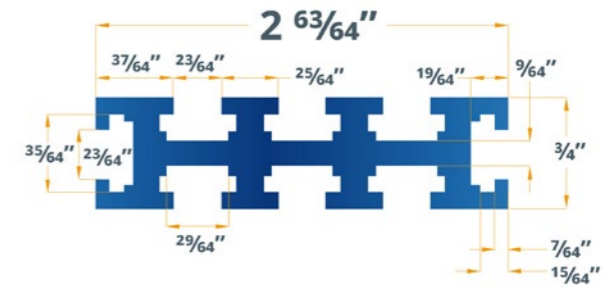
Multi T-Track

This "fence builder" can be used for a wide assortment of woodworking projects, including creating general fixtures and jigs, workstations or customized fences. Multi T-Tracks are considered universal, each unit has six integrated T-Tracks that'll accept any accessory that fastens using 1/4" T-Bolts, 1/4" Hex Bolts or, 5/16" T-Bolts.



71488

24" L x 3" H Aluminum Multi T-Track Fence with Laser Measure (8 Slots)

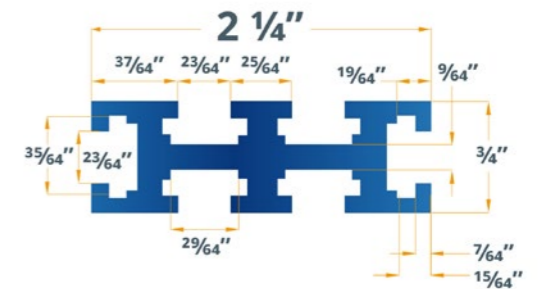


Specifications



71182

36" L x 2-1/4" H Multi T-Track (6 Slots)

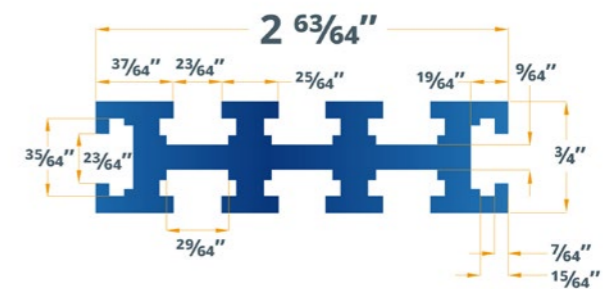


Specifications



71223

36" L x 3" H Multi T-Track (8 Slots)



Specifications

24" & 36" Multi T-Tracks

SKU	Includes	Product	Slot
71488	1 PK	(1) 24" L x 3" H, Multi T-Track with Laser Measure, Right to Left	8 Slots
71489	1 PK	(1) 24" L x 3" H, Multi T-Track with Laser Measure, Left to Right	8 Slots
71182	1 PK	(1) 36" L x 2-1/4" H, Multi T-Track	6 Slots
71223	1 PK	(1) 36" L x 3" H, Multi T-Track	8 Slots

Clamps, Stops and Other Accessories

We carry a large variety of T-Track jigs including stops of all shapes and sizes, clamps (including cam, hold-down, toggle) as well as the accessories needed to make your own DIY T-Track jigs: the bolts, knobs, washers and fasteners. Wait 'til you see what your tracks are capable of!



QTB1007

5/16"-18 x 1.5 Threaded T-Bolts

5/16"-18 & 1/4"-20 T-Bolts

SKU	Includes	Product	Bolt Specs
QTB1001	20 PK	Threaded T-Bolts, Zink Plated	5/16"-18 x 1
QTB1007	20 PK	Threaded T-Bolts, Zink Plated	5/16"-18 x 1.5
QTB1002	20 PK	Threaded T-Bolts, Zink Plated	5/16"-18 x 2.5
QTB1003	20 PK	Threaded T-Bolts, Zink Plated	5/16"-18 x 3.5
QTB1004	20 PK	Threaded T-Bolts, Zink Plated	1/4"-20 x 1
QTB1008	20 PK	Threaded T-Bolts, Zink Plated	1/4"-20 x 1.5
QTB1005	20 PK	Threaded T-Bolts, Zink Plated	1/4"-20 x 2.5
QTB1006	20 PK	Threaded T-Bolts, Zink Plated	1/4"-20 x 3.5



71165

5/16"-18 Cam Clamp

Cam Clamps

SKU	Includes	Product	T-Bolt Specs
71164	2 PK	(2) Cam Levers, (2) 3" T-Bolts, (2) Steel Washers, (2) Rubber Washers	1/4"-20
71501	4 PK	(4) Cam Levers, (4) 3" T-Bolts, (4) Steel Washers, (4) Rubber Washers	1/4"-20
71165	2 PK	(2) Cam Levers, (2) 3" T-Bolts, (2) Steel Washers, (2) Rubber Washers	5/16"-18
71502	4 PK	(4) Cam Levers, (4) 3" T-Bolts, (4) Steel Washers, (4) Rubber Washers	5/16"-18



71082
Mini Hold Down Clamp



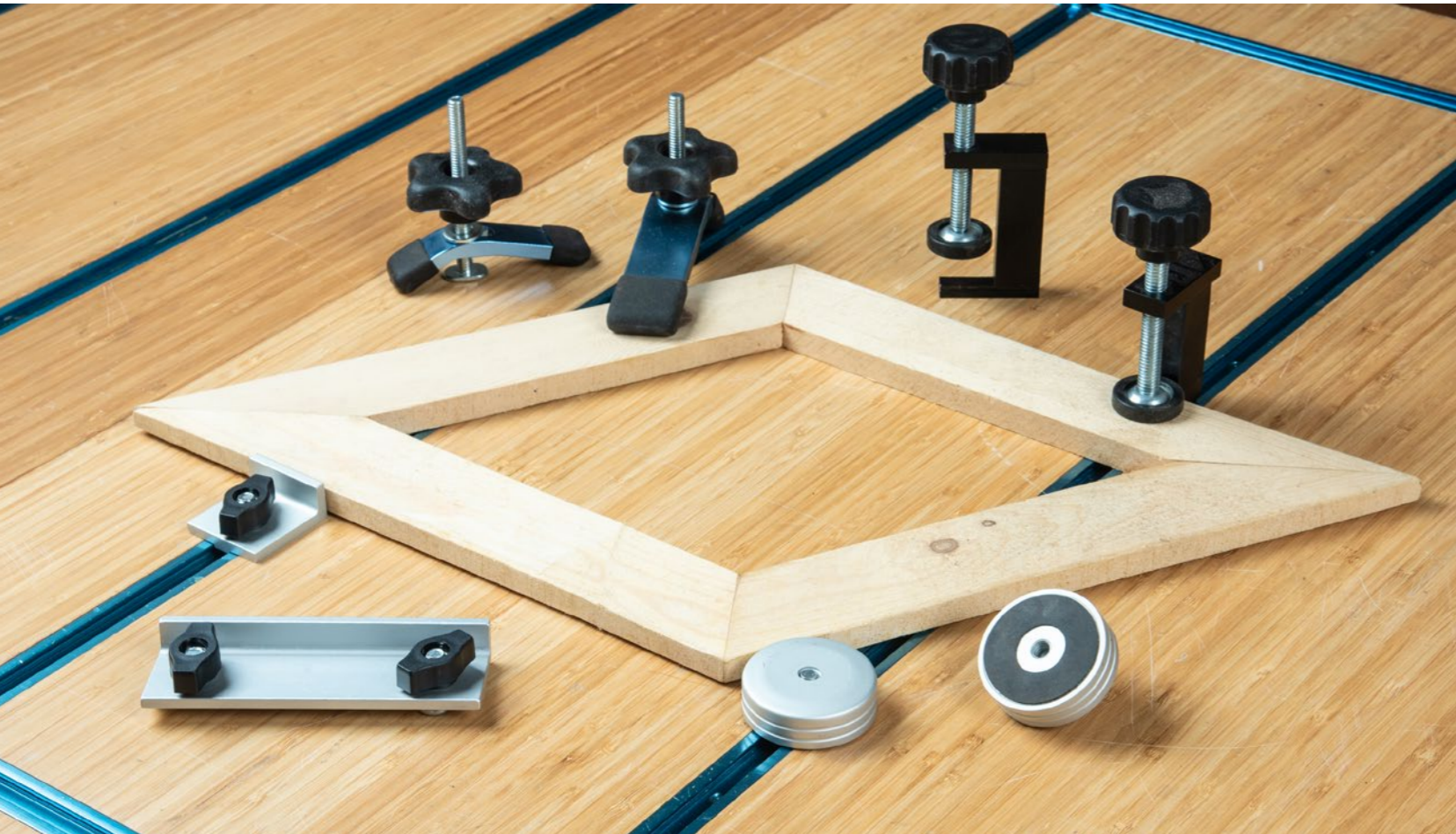
71083
Hold Down Clamp



71438
Screw Vice Hold Down Clamp



71661
Mini T-Track Hold Down Clamp



Ideal for
holding down
workpieces and
allowing no play,
POWERTEC clamps
and stops will
never mark or
scratch the project
you're working on.

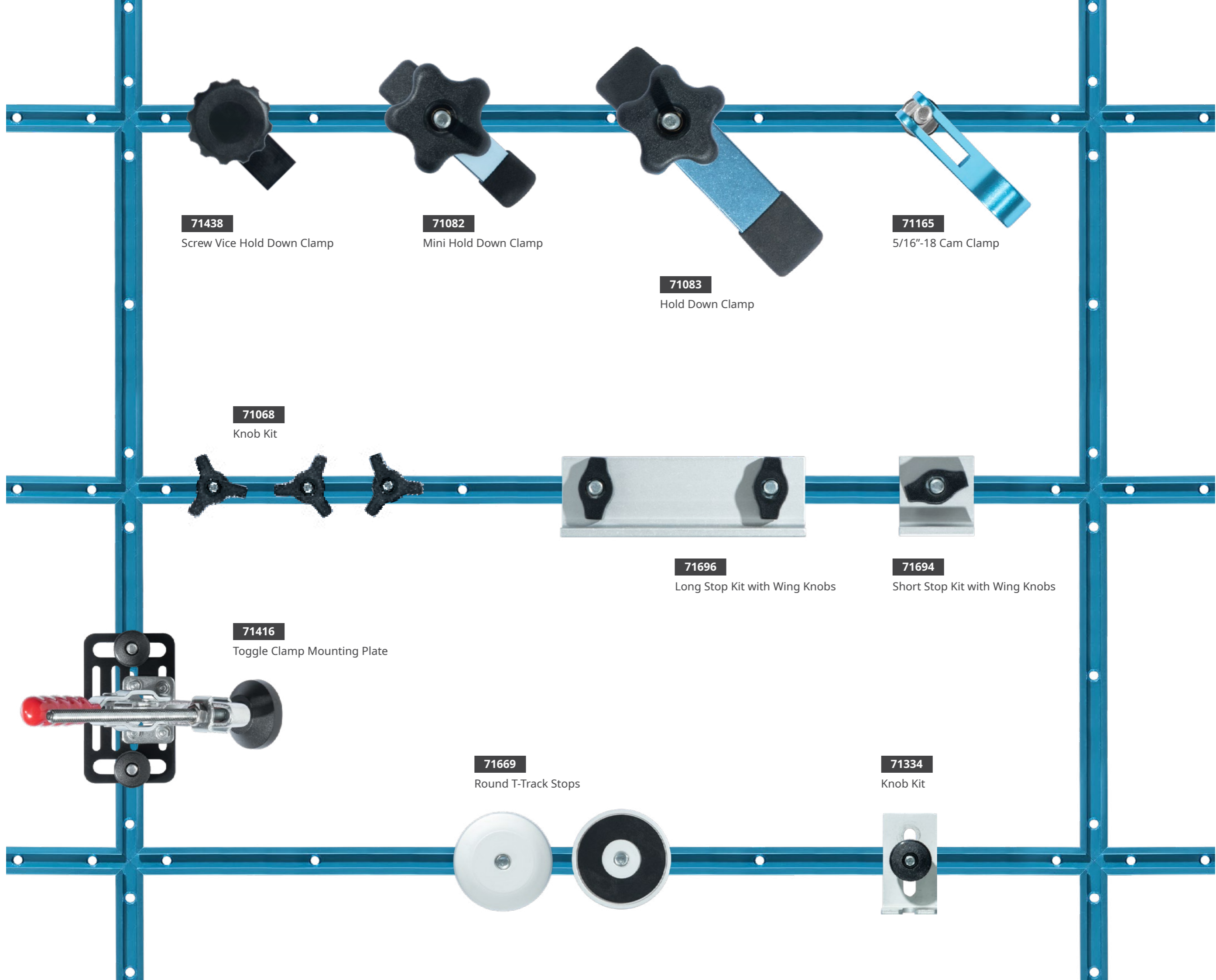


Aluminum Hold Down Clamps

SKU	Includes	Product	Clamp Specs
71082	1 PK	(1) Mini Hold Down Clamp, (1) 5/16"-18 x 3-1/2" T-Bolt, (1) Washer, (1) 5/16"-18 Thread 5-Star Knob	3-5/8" L x 3/4" W
71389	2 PK	(2) Mini Hold Down Clamps, (2) 5/16"-18 x 3-1/2" T-Bolts, (2) Washers, (2) 5/16"-18 Thread 5-Star Knobs	3-5/8" L x 3/4" W
71389-P2	4 PK	(4) Mini Hold Down Clamps, (4) 5/16"-18 x 3-1/2" T-Bolts, (4) Washers, (4) 5/16"-18 Thread 5-Star Knobs	3-5/8" L x 3/4" W
71083	1 PK	(1) Hold Down Clamp, (1) 5/16"-18 x 3-1/2" T-Bolt, (1) Washer, (1) 5/16"-18 Thread 5-Star Knob	5-1/2" L x 1-1/8" W
71168	2 PK	(2) Hold Down Clamps, (2) 5/16"-18 x 3-1/2" T-Bolts, (2) Washers, (2) 5/16"-18 Thread 5-Star Knobs	5-1/2" L x 1-1/8" W
71168-P2	4 PK	(4) Hold Down Clamps, (4) 5/16"-18 x 3-1/2" T-Bolts, (4) Washers, (4) 5/16"-18 Thread 5-Star Knobs	5-1/2" L x 1-1/8" W

Hold Down Clamps

SKU	Includes	Product	Clamp Capacity
71438	2 PK	(2) Screw Vice Hold Down Clamps	1/4" to 2" Thick
71438-P2	4 PK	(4) Screw Vice Hold Down Clamps	1/4" to 2" Thick
71439	2 PK	(2) Screw Vice Hold Down Clamps	1/4" to 2" Thick
71661	2 PK	(2) 5/16"-18 Thread T-Bolts, (2) 1" x 3/4" Thumb Knobs, (2) 5/16"-18 Swivels, (2) 3/4" x 3-3/4" Hold Down Clamps	-
71661-P2	4 PK	(4) 5/16"-18 Thread T-Bolts, (4) 1" x 3/4" Thumb Knobs, (4) 5/16"-18 Swivels, (4) 3/4" x 3-3/4" Hold Down Clamps	-
71661-P4	8 PK	(8) 5/16"-18 Thread T-Bolts, (8) 1" x 3/4" Thumb Knobs, (8) 5/16"-18 Swivels, (8) 3/4" x 3-3/4" Hold Down Clamps	-



71438
Screw Vice Hold Down Clamp

71082
Mini Hold Down Clamp

71083
Hold Down Clamp

71165
5/16"-18 Cam Clamp

71068
Knob Kit

71696
Long Stop Kit with Wing Knobs

71694
Short Stop Kit with Wing Knobs

71416
Toggle Clamp Mounting Plate

71669
Round T-Track Stops

71334
Knob Kit



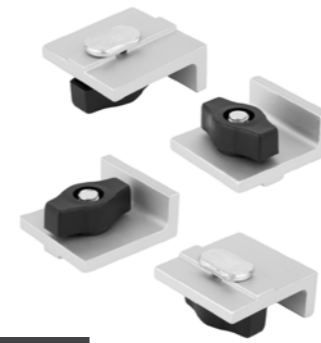
71135
2-1/4" Fence Flip Stop



71367-P2
3" Fence Flip Stop



71669
Round T-Track Stops



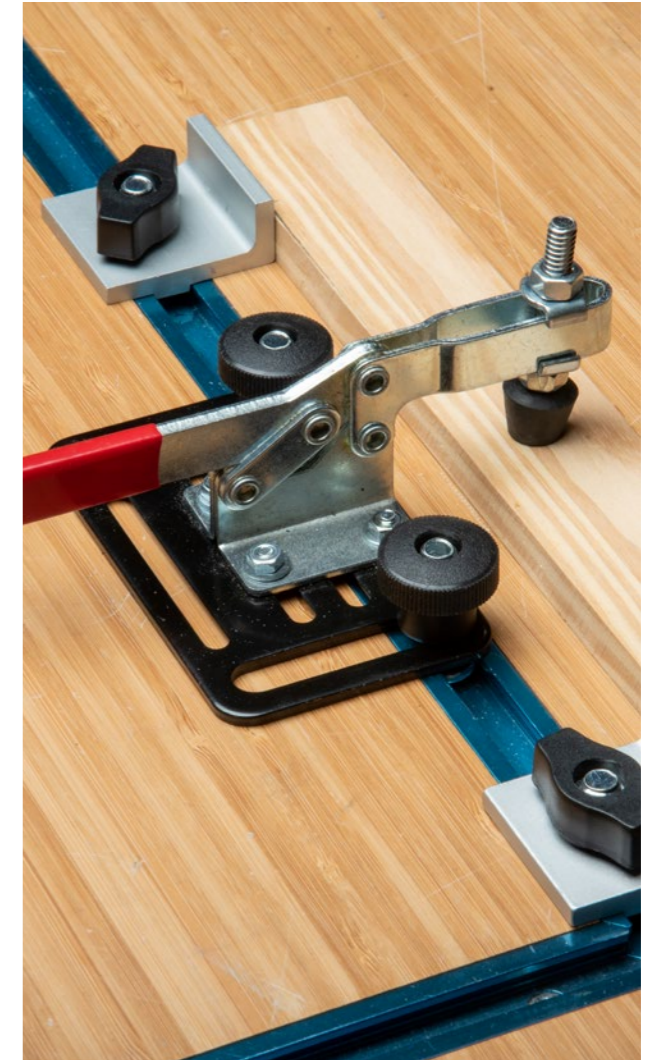
71694
Short Stop Kit with Wing Knobs



71696
Long Stop Kit with Wing Knobs



71779
Double-Cut Profile T-Track Kit



Fence Stops

SKU	Includes	Product	T-Bolt Specs	Knob Specs
71135	1 PK	(1) 2-1/4" Fence Flip Stop	5/16"-18	1"
71135-P2	2 PK	(2) 2-1/4" Fence Flip Stops	5/16"-18	1"
71367	1 PK	(1) 3" Fence Flip Stop	5/16"-18	1"
71367-P2	2 PK	(2) 3" Fence Flip Stops	5/16"-18	1"

Track Stops

SKU	Includes	Product	Stop Specs
71669	2 PK	(2) Round T-Track Stops	2" x 0.645"
71694	4 PK	(2) Short Stops, (2) Short Inline Stops, (4) Wing Knobs, (4) T-Bolts	1-5/8" x 1-1/2"
71695	1 PK	(1) Long Stop, (2) Wing Knobs, (2) T-Bolts	1-5/8" x 4-15/16"
71696	2 PK	(2) Long Stops, (4) Wing Knobs, (4) T-Bolts	1-5/8" x 4-15/16"
71779	T-Track Kit	(4) 24" Universal T-Tracks, (2) 5-1/2" Hold Down Clamps, (4) 1-5/8" x 1-1/2" Short Stops, (2) 1-5/8" x 4-15/16" Long Stops	Assorted
71780	T-Track Kit	(4) 24" Universal T-Tracks, (2) 3-5/8" Hold Down Clamps, (4) 1-5/8" x 1-1/2" Short Stops, (2) 1-5/8" x 4-15/16" Long Stops	Assorted



71334
2 PK, Knob Kit



71068
10 PK, Knob Kit



71070
4 PK, Knob Kit



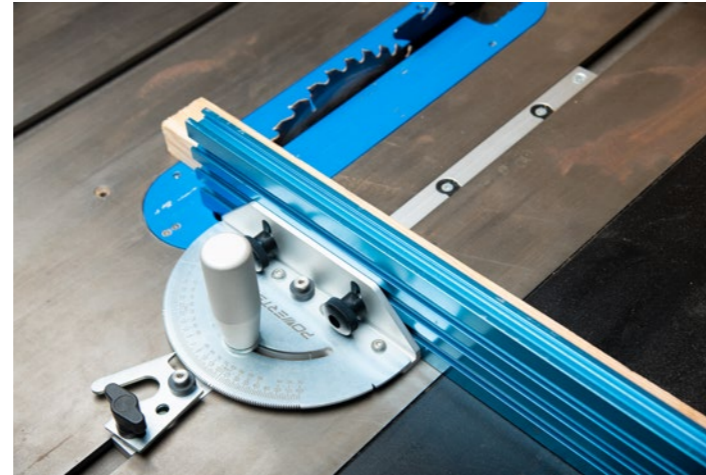
71121
1 SET, Knob Kit



71481
10 PK, Knob Kit



71484
4 PK, Knob Kit



71173
46 PC, Jig & Fixture Hardware Kit



71127
128 PC, Jig & Fixture Hardware Kit

Knob Kits

SKU	Includes	Product	Bolt Specs
71334	2 PK	Multi Track Brackets with Clamping Knobs and Hex Bolts	1/4"-20 x 1"
71335	2 PK	Multi Track Brackets with Clamping Knobs and T-Bolts	1/4"-20 x 1"
71068	10 PK	T-Track Thru Hole Knobs with Hex Bolts and Washers	1/4"-20 x 1-1/2"
71070	4 PK	5-Star Thru Hole Knobs with Hex Bolts and Washers	1/4"-20
71484	4 PK	(4) 7-Star Knobs, (4) T-Bolts, (4) Washers, (1) Storage Case	1/4"-20 x 1-1/2"
71481	10 PK	(10) 7-Star Knobs, (10) T-Bolts, (10) Washers, (1) Storage Case	1/4"-20 x 1-1/2"
71483	4 PK	(4) 7-Star Knobs, (4) T-Bolts, (4) Washers, (1) Storage Case	5/16"-18 x 1-1/2"
71482	10 PK	(10) 7-Star Knobs, (10) T-Bolts, (10) Washers, (1) Storage Case	5/16"-18 x 1-1/2"
71121	1 SET	(4) 5-Star Knobs, (4) T-Knobs, (8) T-Bolts	5/16"-18

Jig & Fixture Hardware Kits

SKU	Includes	Product	Bolt Specs
71127	128 PC	(20) 1" T-Bolts, (20) 1-1/2" T-Bolts, (10) 2-1/2" T-Bolts, (10) 3-1/2" T-Bolts, (6) 2" T-Shaped Knobs, (6) 4-Star Insert Knobs, (6) 4-Star Bolt Knobs, (4) 5-Star Insert Knobs, (4) 5-Star Bolt Knobs, (10) 1" Round Knobs, (16) 1/4"-20 Threaded Inserts, (16) T-Nuts, (1) Storage Case	1/4"-20
71173	46 PC	(6) 1/4"-20 x 1" T-Bolts, (6) 1/4"-20 x 1-1/2" T-Bolts, (6) 1/4"-20 x 2-1/2" T-Bolts, (4) 5-Star Insert Knobs, (4) 4-Star Bolt Knobs, (4) 2" T-Shaped Knobs, (8) 1/4"-20 Threaded Inserts, (8) T-Nuts, (1) Storage Case	1/4"-20
71130	36 PC	(4) 2 Point 3" Knobs, (4) 2 Point 2" Knobs with 2" Studs, (4) 3-Star 1-1/2" Knobs, (4) 4-Star 1-1/2" Knobs with 1" Studs, (4) Specialized Nuts for T-Slotted Miter Slots, (4) 1/4"-20 x 2" Hex Bolts, (12) 1/4"-20 x 3" Hex Bolts	1/4"-20
71128	128 PC	(20) 1" T-Bolts, (20) 1-1/2" T-Bolts, (10) 2-1/2" T-Bolts, (10) 3-1/2" T-Bolts, (6) 2" T-Shaped Knobs, (6) 4-Star Insert Knobs, (6) 4-Star Bolt Knobs, (4) 5-Star Insert Knobs, (4) 5-Star Bolt Knobs, (10) 1" Round Knobs, (16) 5/16"-18 Threaded Inserts, (16) T-Nuts, (1) Storage Case	5/16"-18
71174	46 PC	(6) 5/16"-18 x 1" T-Bolts, (6) 5/16"-18 x 1-1/2" T-Bolts, (6) 5/16"-18 x 2-1/2" T-Bolts, (4) 5-Star Insert Knobs, (4) 4-Star Bolt Knobs, (4) 2" T-Shaped Knobs, (8) 5/16"-18 Threaded Inserts, (8) T-Nuts, (1) Storage Case	5/16"-18

