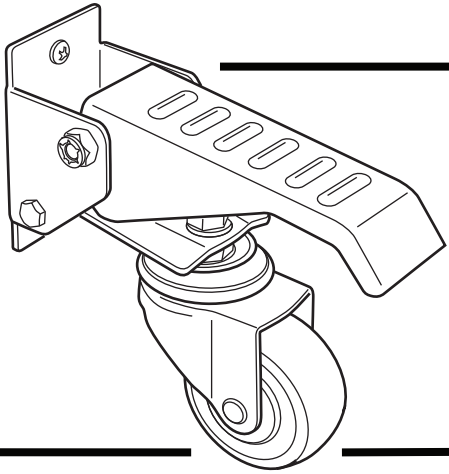


Owner's Manual



WORKBENCH CASTERS

? QUESTION...
1-847-780-6120

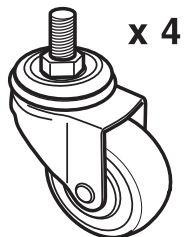
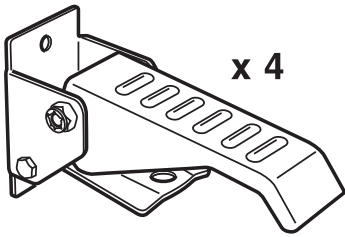


Visit us on the web at www.southerntechllc.com
You will need this manual for safety instructions, operating procedures, and warranty. Put it and the original sales invoice in a safe, dry place for future reference.

Southern Technologies, LLC 3816 Hawthorn CT, Waukegan, IL 60087

UNPACKING

You will need this manual for safety instructions, operating procedures, and warranty. Check for shipping damage. CHECK IMMEDIATELY IF ALL PARTS AND ACCESSORIES ARE INCLUDED.



ASSEMBLY

MOUNTING INSTRUCTION

1. Mark your drill points on the workbench leg at 2" and 4-3/4" from the bottom of the leg. (Figure 1)
2. Drill two pilot holes on each workbench leg.
3. Install Pedal Bracket Assembly to the workbench leg with Wood Screws provided. (Figure 1)
4. Attach Caster to Pedal Bracket Assembly using Nuts and Lock Washer provided. (Figure 2)

NOTE: you may need to remove the caster from the caster plate to attach and secure the Pedal Bracket Assembly to the workbench leg.

Figure 1

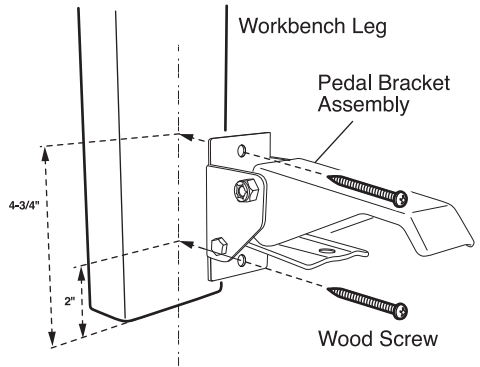
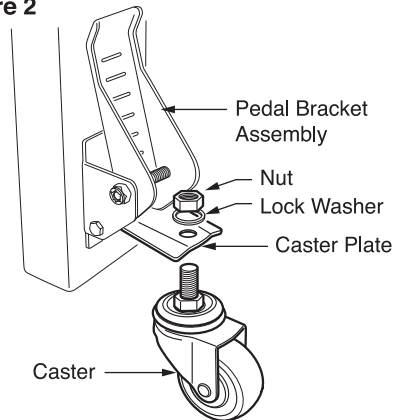


Figure 2



Other Installations

The workbench casters can be used on many different tables or stands other than workbenches. This includes router table stands, lathe stands or anywhere in your shop where you need mobility for a larger item. When installing the casters on metal stands you will need to use nuts, bolts and washers (not included) to properly secure the assembly. (Figure 3) The same process as shown above should be followed

Figure 3

