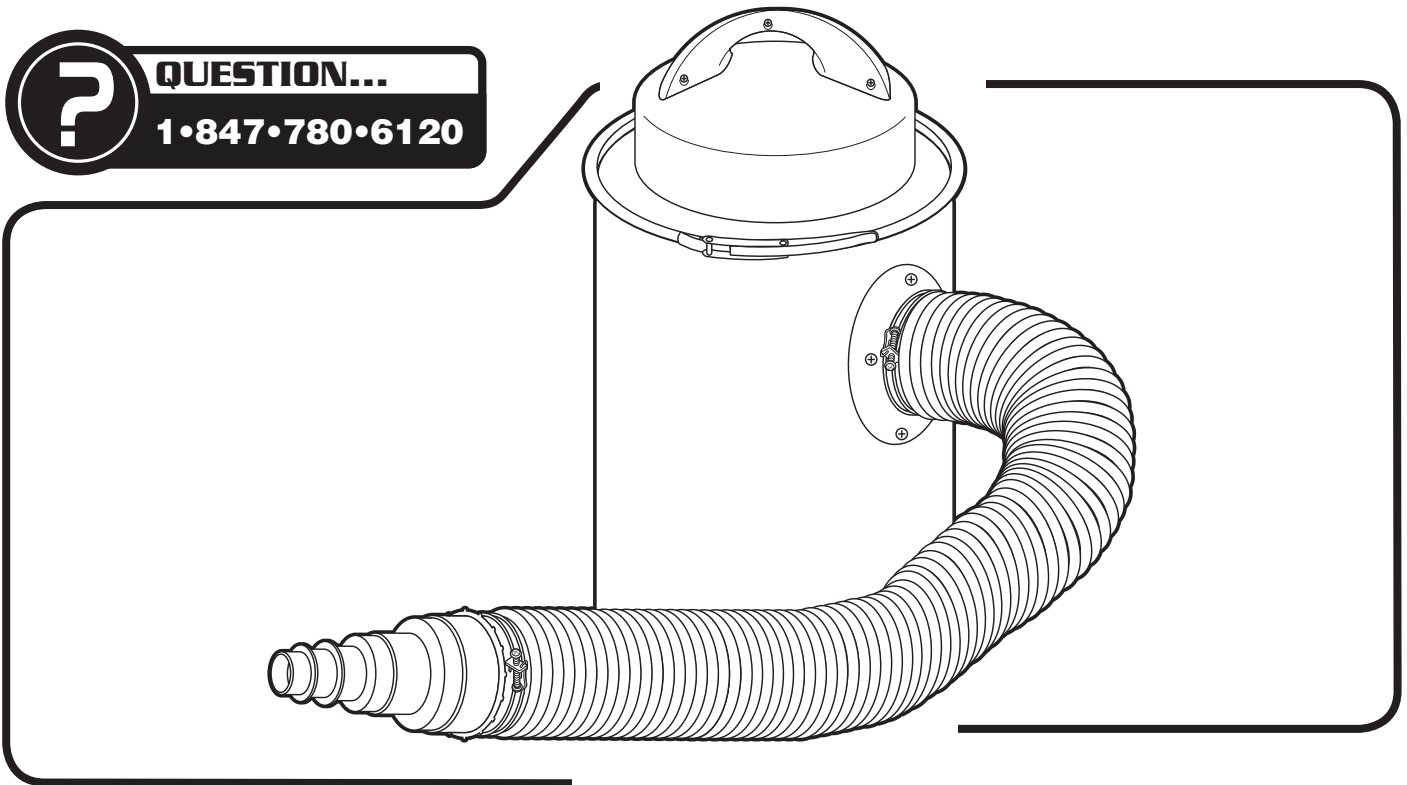


Owner's Manual

POWERTEC








Portable Dust Collector



Visit us on the web at www.southerntechllc.com

You will need this manual for safety instructions, operating procedures, and warranty. Put it and the original sales invoice in a safe, dry place for future reference.

TABLE OF CONTENTS

SECTION	PAGE
 SAFETY RULES	1
Work Preparation Work Area Preparation Tool Maintenance Tool Operation	
 ASSEMBLY	2
Unpacking Installation Power Source Grounding Instructions Extension Cords Motor Electrical Connections	
 OPERATION	5
Basic Operations	
 MAINTENANCE	5
General Maintenance Cleaning Lubrication Machine Storage Tool Repairs	
 PARTS ILLUSTRATION & LIST	6
 TROUBLESHOOTING	8
 WARRANTY	9

PRODUCT SPECIFICATIONS

Motor	120V/60Hz
Motor Power	1-1/2 HP 9.5 Amp
Filter	0.5 micron
Air Flow.....	108 CFM
Canister Capacity	13 gallons (50 L)
Hose Length	78-3/4" (2 m)
Suction Connector Diameter	4" (100 mm)
Gross Weight.....	26.4 lbs (12 kg)

 **WARNING**

For your own safety, read and understand all warnings and operating instructions before using any tool or equipment.

 **WARNING**

Some dust created by power sanding, sawing, grinding, drilling and other construction activities contains chemicals known to the State of California to cause cancer, birth defects or other reproductive harm.

Some examples of these chemicals are:

- Lead from lead-based paints.
- Crystalline silica from bricks and cement and other masonry products.
- Arsenic and chromium from chemically-treated lumber.

Your risk from these exposures vary, depending on how often you do this type of work. To reduce your exposure to these chemicals: work in a well ventilated area and work with approved safety equipment. Always wear OSHA/NIOSH approved, properly fitting face mask or respirator when using such tools.

 **WARNING**

Always follow proper operating procedures as defined in this manual even if you are familiar with the use of this or similar tools. Remember that being careless for even a fraction of a second can result in severe personal injury.

WORK PREPARATION

- Wear proper apparel. Do not wear loose clothing, gloves, neckties, rings, bracelets or other jewelry which may get caught in moving parts of the tool.
- Wear protective hair covering to contain long hair.
- Wear safety shoes with non-slip soles.
- Wear safety glasses complying with United States ANSI Z87.1. Everyday glasses have only impact resistant lenses. They are NOT safety glasses.
- Wear face mask or dust mask if operation is dusty.
- Be alert and think clearly. Never operate power tools when tired, intoxicated or when taking medications that cause drowsiness.

WORK AREA PREPARATION

- Keep work area clean. Cluttered work areas invite accidents.
- Do not use power tools in dangerous environments. Do not use power tools in damp or wet locations. Do not expose power tools to rain.
- Work area should be properly lit.
- Proper electrical receptacle should be available for tool. Three-prong plug should be plugged directly into properly grounded, three-prong receptacle.
- Extension cords should have a grounding prong and the three wires of the extension cord should be of the correct gauge.
- Keep visitors at a safe distance from work area.

- Keep children out of the work area. Ensure your work shop is child-proof. Use padlocks, master switches or remove switch keys to prevent any unintentional use of power tools.

TOOL MAINTENANCE

- Always unplug tool prior to inspection.
- Consult manual for specific maintaining and adjusting procedures.
- Keep tool lubricated and clean for a safe operation.
- Remove adjusting tools. Form habit of checking to see adjusting tools or accessories are removed before switching tool on.
- Keep all parts in working order. Check to determine that guard or other parts will operate properly and perform their intended function.
- Check for damaged parts. Check for alignment of moving parts, binding, breakage, mounting and any other condition that may affect tool's operation.
- A guard or any other part that is damaged should be properly repaired or replaced. Do not perform makeshift repairs.

TOOL OPERATION

- Use the right tool for your job. Do not force your tool or attachment to do a job for which it was not designed.
- Avoid accidental start-up. Make sure that the tool is in the "OFF" position before plugging in.
- Never leave tool running unattended.
- Know your tool. Learn the tool's operation, application and specific limitations before using it.

 **CAUTION**

Think safety! Safety is a combination of operator common sense and alertness at all times when tool is being used.

 **WARNING**

Do not attempt to operate tool until it is completely assembled according to the instructions.

SAVE ALL WARNINGS AND INSTRUCTIONS FOR FUTURE REFERENCE

SPECIFIC SAFETY INSTRUCTIONS

⚠ WARNING

Read and understand the instruction manual before operating the dust collector. Basic precautions listed below should always be followed when using your dust collector to reduce the risk of injury, electrical shock or fire.

- This dust collector is designed to collect sawdust only.
- Never attempt to use this dust collector to vacuum water or any other liquids.
- Never try to use this dust collector to collect large wood pieces.
- Never attempt to use this dust collector to collect flammable or combustible dust/gas. DO NOT use near any flammable or combustible liquids.
- Never attempt to use this dust collector to collect anything that is burning or smoking.
- DO NOT use outdoors or on wet surfaces. Rain or moisture entering the dust collector motor housing/canister increases the risk of electrical shock.

- Never attempt to use this dust collector to collect metal materials such as screws, nails or other metal parts.
- Always wear approved eye protection and respirator when emptying collection canister or changing filter cartridge/bags.
- Turn machine off, disconnect power cord and ensure all moving parts have stopped completely before changing or emptying the collection canister.
- ALWAYS ensure filter cartridge/bags are secured in place.
- Do not place your hand or tools near the open inlet while operating. Serious personal injury or damage to the machine can happen.
- Always connect dust collector to the matched power source.

IMPORTANT : Always consider safety first as it applies to your individual working conditions, the environment in every shop is different.

SAVE ALL WARNINGS AND INSTRUCTIONS FOR FUTURE REFERENCE

ASSEMBLY

UNPACKING

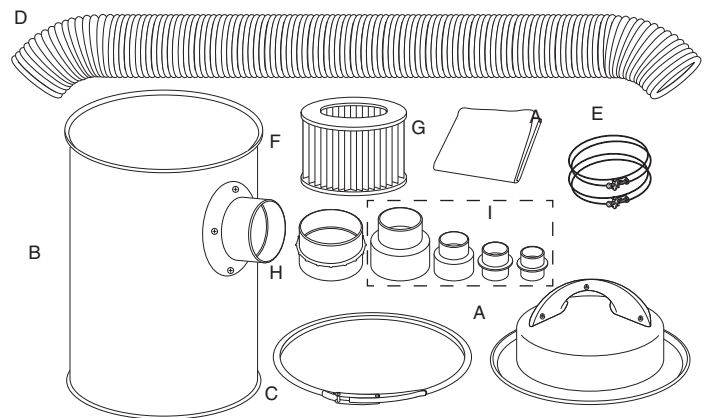
Refer to Figure 1.

- Check for shipping damage. Check immediately whether all parts and accessories are included. If anything is missing or broken, contact your retailer or call **847-780-6120**.
 - Carefully remove all contents from shipping carton.
- NOTE:** The loose parts are shipped inside the collection canister.

The shipping carton contains:

ITEM	DESCRIPTION	QUANTITY
A	Motor Housing	
B	Collection Canister	1
C	Locking Band	1
D	Collection Hose	1
E	Hose Clamps	2
F	Filter Cartridge	1
G	Filter Bag	2
H	Hose Coupler	1
I	Stackable Hose Adapters	4
	Owner's Manual (not shown)	

Figure 1



INSTALLATION

Refer to Figures 1 - 3

⚠ CAUTION

Do not attempt assembly if parts are missing. Call the Customer service line to obtain replacement parts.

⚠ WARNING

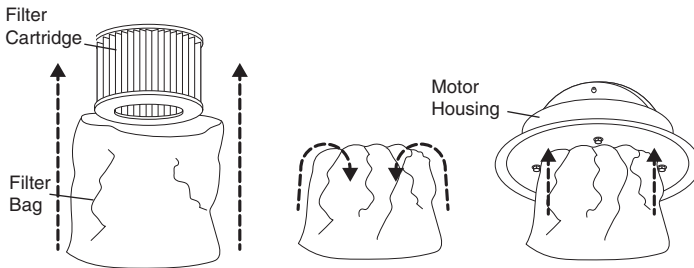
- Do not operate dust collector until completely assembled.
- Do not operate this tool until you have completely read and understood this manual.

NOTE: After unit is assembled dispose of all packaging material in an environmentally safe way.

Tools required for assembly:

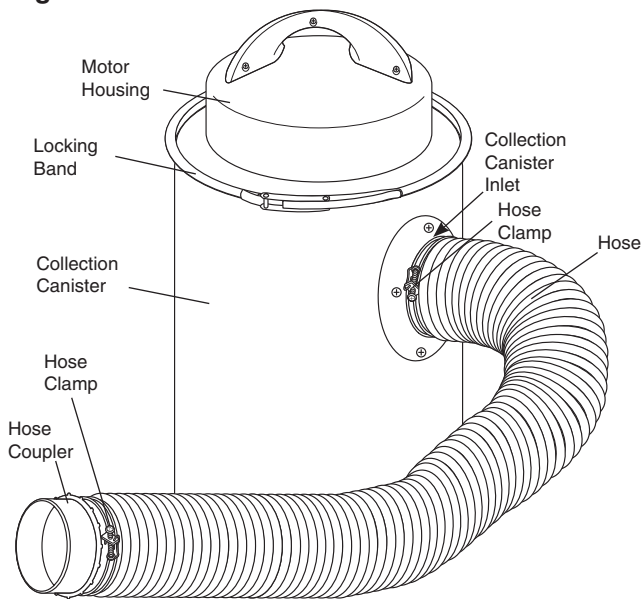
- Phillips head screwdriver
- 1. Slide the filter bag over the filter cartridge.
- 2. Fold and tuck the top of the bag into the filter cartridge.
- 3. Push the filter cartridge/bag onto the motor housing.

Figure 2



- 4. Place the motor housing with filter cartridge/bag on to the collection canister and lock in place with the locking band.
- 5. Attach one end of the hose to the collection canister inlet. Secure in place with supplied hose clamp. Make sure the hose is flush with the collection canister hose coupler before tightening the hose clamp.
- 6. Attach the supplied hose coupler to the other end of the hose, secure in place with supplied hose clamp.

Figure 3



POWER SOURCE

WARNING

Do not connect dust collector to the power source until all assembly steps have been completed. The motor is designed for operation on the voltage and frequency specified. Normal loads will be handled safely on voltages not more than 10% above or below specified voltage. Running the unit on voltages which are not within the range may cause overheating and motor burn-out. Heavy loads require that the voltage at motor terminals be no less than the voltage specified on nameplate.

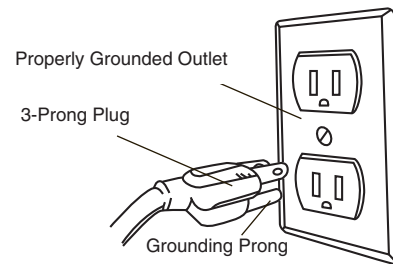
GROUNDING INSTRUCTIONS

WARNING

Improper connection of equipment grounding conductor can result in the risk of electrical shock. Equipment should be grounded while in use to protect operator from electrical shock.

- Check with a qualified electrician if you do not understand grounding instructions or if you are in doubt as to whether the tool is properly grounded.
- This tool is equipped with an approved cord rated at 120V and a 3-prong grounding type plug (see Figure 4) for your protection against shock hazards.
- Grounding plug should be plugged directly into a properly installed and grounded 3-prong grounding type receptacle, as shown (see Figure 4).

Figure 4



- Do not remove or alter grounding prong in any manner. In the event of a malfunction or breakdown, grounding provides a path of least resistance for electrical shock.

WARNING

Do not allow fingers to touch the terminals of plug when installing or removing from outlet.

- Plug must be plugged into matching outlet that is properly installed and grounded in accordance with all local codes and ordinances. Do not modify plug provided. If it will not fit in outlet, have proper outlet installed by a qualified electrician.
- Inspect tool cords periodically, and if damaged, have repaired by an authorized service facility.
- Green (or green and yellow) conductor in cord is the grounding wire. If repair or replacement of the electric cord or plug is necessary, do not connect the green (or green and yellow) wire to a live terminal.

EXTENSION CORDS

- The use of an extension cord is not recommended. The use of any extension cord will cause some drop in voltage and loss of power.
- Wires of the extension cord must be of sufficient size to carry the current and maintain adequate voltage.
- Use the table to determine the minimum wire size (A.W.G.) extension cord.
- Use only 3-wire extension cords having 3-prong grounding type plugs and 3-pole receptacles which accept the tool plug.
- If the extension cord is worn, cut or damaged in any way, replace it immediately.



Extension Cord Length

Wire Size..... 18 A.W.G.

Up to 50 ft

NOTE: Using extension cords over 50 ft. long is not recommended.**MOTOR**

The dust collector is assembled with motor and wiring installed. The electrical wiring schematic is shown in Figure 5.

The permanently split capacitor motor has the following specifications:

Horsepower (Peak HP)..... 1-1/2

Voltage 120

Amp 9.5

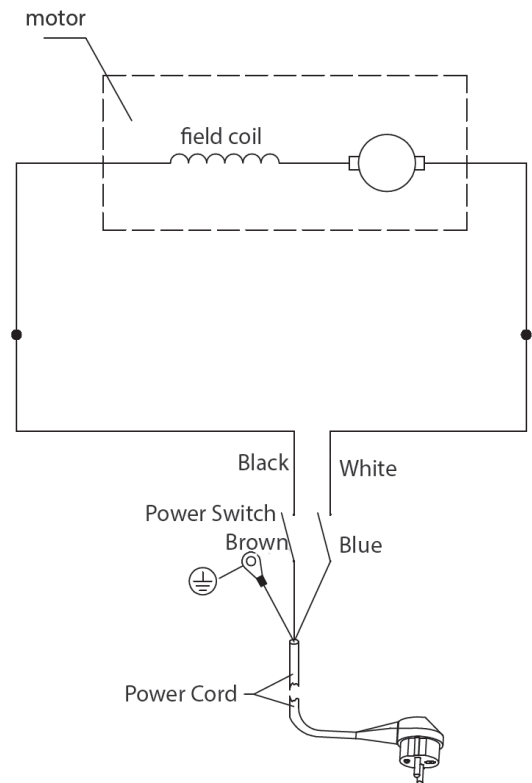
Hertz 60

Phase Single

RPM..... 3100

ELECTRICAL CONNECTIONS**WARNING**

All electrical connections must be performed by a qualified electrician. Make sure tool is off and disconnected from power source while motor is mounted, connected, reconnected or anytime wiring is inspected. Motor and wires are installed as shown in wiring schematic (See Figure 5). Motor is assembled with approved, 3-conductor power cord to be used at 120 volts.

Figure 5

The power lines are inserted directly into the switch. The green ground line must remain securely fastened to the frame to properly protect against electrical shock. The power supply to the motor is controlled by a single pole locking rocker switch.

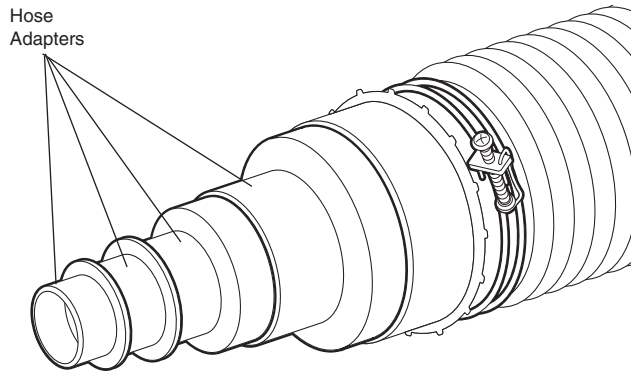
BASIC OPERATIONS

Refer to Figures 6 - 7

Before Starting

- Place the dust collector near the dust producing machine to be used.
- There are four hose adapters supplied. Select the hose adapter that best fits the machine outlet and attach it to the hose coupler.

Figure 6

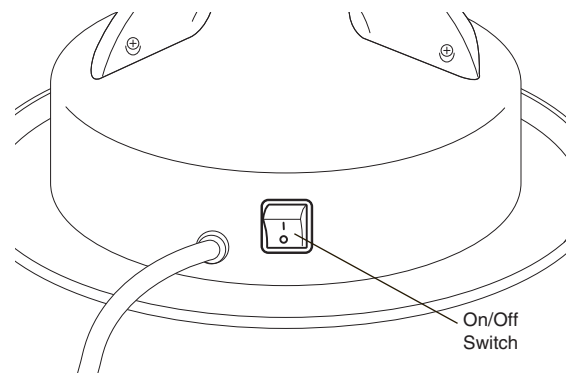


- Connect the dust collector adapter to the machine outlet. Make sure the connection is secure.
- Make sure the machine is turned OFF.
- Connect the dust collector's power cord to the correct power source.

To Start

- Place the dust collector's ON/OFF switch in the ON (I) position.
- Turn the machine ON.

Figure 7



To Stop

IMPORTANT: ALWAYS turn the dust producing machine OFF before turning the dust collector OFF.

- Turn the machine OFF.
- Place the dust collector's ON/OFF switch in the OFF (O) position.

GENERAL MAINTENANCE

WARNING

Make sure the machine is turned off and the cord is disconnected from the power source before servicing and removing/replacing any components on the machine.

- Check the dust collector daily for loose connections, damaged wires, worn switch, full collection canister, dirty filter cartridge/bag and any other unsafe condition.

CLEANING

Check and empty the collection canister on your dust collector regularly. The machine operates at a much higher level of efficiency when the collection canister is empty.

Check and clean the filter cartridge/bag regularly. Replace as needed.

LUBRICATION

The sealed bearings in the motor have been permanently lubricated at the factory. They require no further lubrication.

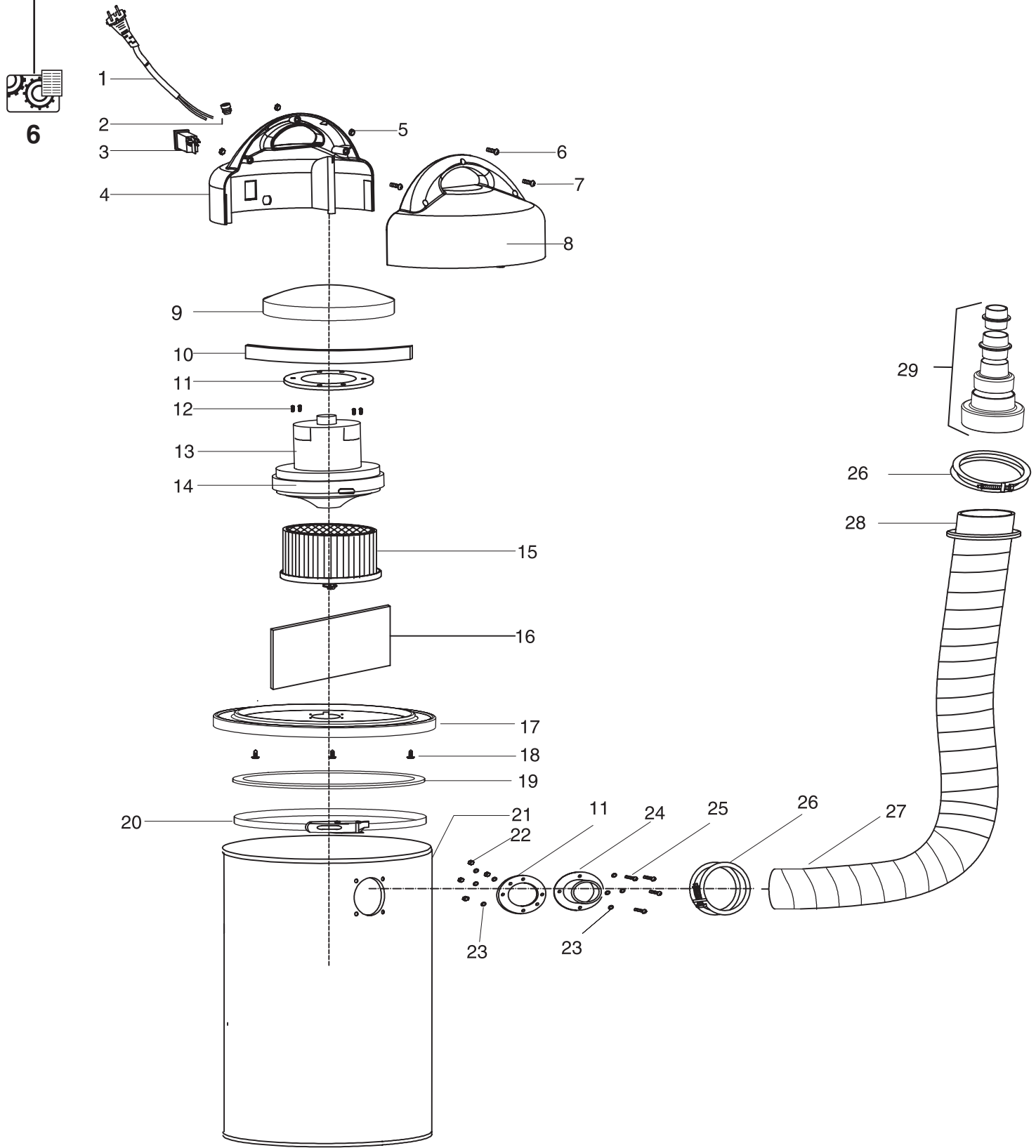
MACHINE STORAGE

- When the dust collector is not in use, disconnect the cord from the power source and store the machine in a dry place.
- Do not expose the machine to rain.
- Ensure the cord is kept away from potential damage sources such as; sharp objects, chemicals, heat sources and water.

TOOL REPAIRS

- If power cord is worn, cut, or damaged in any way, have it replaced immediately.
- Replace any damaged or missing parts. Use parts list to order parts. Any attempt to repair motor may create a hazard unless repair is done by a qualified service technician. Call the customer service line at **847-780-6120** for assistance.

6 PORTABLE DUST COLLECTOR PARTS ILLUSTRATION



PORTABLE DUST COLLECTOR PARTS LIST



7

Key No.	Part No	Description	Qty
1	DC1510001	Power cord	1
2	DC1510002	Cord bush	1
3	DC1510003	Switch Gorbo XCK-019	1
4	DC1510004	Left guard	1
5	DC1510005	Lock nut M5	3
6	DC1510006	Philips screw M5X25	1
7	DC1510007	Philips screw M5X45	2
8	DC1510008	Right guard	1
9	DC1510009	Circle sponge	1
10	DC1510010	Long sponge	3
11	DC1510011	Rubber washer	2
12	DC1510012	Philips screw M5X8	4
13	DC1510013	Motor 120V	1
14	DC1510014	Rubber washer	1
15	DC1510015	Filter	1
16	DC1510016	Dust bag	2
17	DC1510017	Drum lid	1
18	DC1510018	Philips screw ST5.5X18	3
19	DC1510019	Seal gasket	2
20	DC1510020	Drum clamp	1
21	DC1510021	Drum	1
22	DC1510022	Lock nut M6	4
23	DC1510023	Flat washer Ø6	8
24	DC1510024	Suction inlet	1
25	DC1510025	Philips screw M6X15	4
26	DC1510026	Iron wire clamp 4"	2
27	DC1510027	PipeØ100X2000mm	1
28	DC1510028	Pipe connector	1
29	DC1510029	Suction inlet Assy	1



7



SYMPTOM	POSSIBLE CAUSE(S)	CORRECTIVE ACTION
Motor will not start	<ol style="list-style-type: none"> 1. Low voltage 2. Open circuit in motor or loose connections 3. Defective switch 	<ol style="list-style-type: none"> 1. Check power line for proper voltage 2. Inspect all lead connections on motor for loose or open connection 3. Replace switch
Motor will not start; fuses blown or circuit breakers are tripped	<ol style="list-style-type: none"> 1. Short circuit in line cord or plug 2. Short circuit in motor or loose connections 3. Incorrect fuses or circuit breakers in power line 	<ol style="list-style-type: none"> 1. Inspect line cord or plug for damaged insulation and shorted wires 2. Inspect all lead connections on motor for loose or shorted terminals or worn insulation on wires 3. Install correct fuses or circuit breakers
Unit has vibration or noisy operation	<ol style="list-style-type: none"> 1. Motor or components are loose 2. Motor bearings faulty 	<ol style="list-style-type: none"> 1. Inspect/replace any stripped or damaged bolts/nuts and retighten. 2. Call the customer service line at 847-780-6120 for assistance
Loud, repetitious noise or excessive vibration coming from dust collector	<ol style="list-style-type: none"> 1. Dust collection canister is full 2. Filter cartridge/bag is dirty or damaged 3. Dust collector hose restricted 4. The lumber is wet and dust is not flowing through the hose smoothly 5. There is a leak in the hose 	<ol style="list-style-type: none"> 1. Empty collection canister. 2. Clean filter cartridge/bag or replace. 3. Remove hose from dust collector inlet and unblock the restriction in the hose. A plumbing snake may be necessary. 4. Process lumber with less than 20% moisture content. 5. Inspect and replace hose.
Sawdust blown into the air from the dust collector	Hose clamps or dust collection canister is not properly clamped and secured.	Make sure hose clamps are tight and completely over the hose. Make sure motor housing is seated on collection canister correctly and locked in place with the locking band.

Thank you for investing in a **POWERTEC** power tool. This product has been designed and manufactured to meet high quality standards and is guaranteed for domestic use against defects in workmanship or material for a period of 12 months from the date of purchase. This guarantee does not affect your statutory rights.

SOUTHERN TECHNOLOGIES. BENCH TOP AND STATIONARY POWER TOOL LIMITED 1 YEAR WARRANTY AND 30-DAY SATISFACTION GUARANTEE POLICY

POWERTEC products are designed and manufactured by **Southern Technologies LLC**. All warranty communications should be directed to **Southern Technologies LLC** by calling 847-780-6120 (toll free), 9 AM to 5 PM, Monday through Friday, US Central Time.



30- DAY SATISFACTION GUARANTEE POLICY

During the first 30 days after the date of purchase, if you are dissatisfied with the performance of this **POWERTEC** tool for any reason, you may return the tool to the retailer from which it was purchased for a full refund or exchange. You must present proof of purchase and return all original equipment packaged with the original product. The replacement tool will be covered by the limited warranty for the balance of the one year warranty period.

LIMITED ONE YEAR WARRANTY

This warranty covers all defects in workmanship or materials in this **POWERTEC** tool for a one year period from the date of purchase. This warranty is specific to this tool. **Southern Technologies, LLC** reserves the right to repair or replace the defective tool, at its discretion.

HOW TO OBTAIN SERVICE

To obtain service for this **POWERTEC** tool you must return it, freight prepaid, to **POWERTEC**. You may call (toll free) 847-780-6120 for more information. When requesting warranty service, you must present the proof of purchase documentation, which includes a date of purchase. **POWERTEC** will either repair or replace any defective part, at our option at no charge to you. The repaired or replacement unit will be covered by the same limited warranty for the balance of one year warranty period.

WHAT IS NOT COVERED

This warranty applies to the original purchaser at retailer and may not be transferred.

This warranty does not cover consumable items such as saw blades, knives, belts, discs, cooling blocks and sleeves. This warranty does not cover required service and part replacement resulting from normal wear and tear, including accessory wear.

This warranty does not cover any malfunction, failure or defect resulting from:

- 1) misuse, abuse, neglect and mishandling not in accordance with the owner's manual.
- 2) damage due to accidents, natural disasters, power outage, or power overload.
- 3) commercial or rental use.
- 4) alteration, modification or repair performed by persons not recommended by **POWERTEC**.

DISCLAIMER

To the extent permitted by applicable law, all implied warranties, including warranties of MERCHANTABILITY or FITNESS FOR A PARTICULAR PURPOSE, are disclaimed. Any implied warranties, that cannot be disclaimed under state law are limited to one year from the date of purchase. **Southern Technologies LLC** is not responsible for direct, indirect, incidental or consequential damages. Some states do not allow limitations on how long an implied warranty lasts and/or do not allow the exclusion or limitation of incidental or consequential damages, so the above limitations may not apply to you. This warranty gives you specific legal rights, and you may also have other rights which vary from state to state. **Southern Technologies LLC**, makes no warranties, representations, or promises as to the quality or performance of its power tools other than those specifically stated in this warranty.

POWERTEC

Southern Technologies, LLC
3816 Hawthorn CT,
Waukegan, IL 60087