



MODEL NO.  
BB1008

# INSTRUCTION SHEET FOR GLASS COFFEE SERVER 600 ml

**⚠️ Read all instructions before using this product.**

## PRODUCT INFORMATION

**Glass Lid** Heatproof glass temperature difference 248 °F (120 °C)

**Spout**

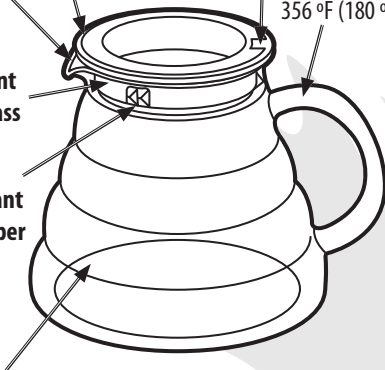
**Sealant on Glass Lid**

**Sealant Stopper**

**Glass Pot** Heatproof glass temperature difference 248 °F (120 °C)

**Sealant Air Hole**

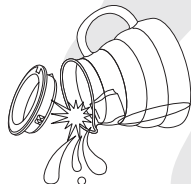
**Silicone Handle** Heatproof glass temperature difference 356 °F (180 °C)



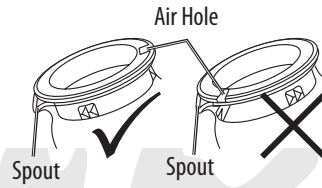
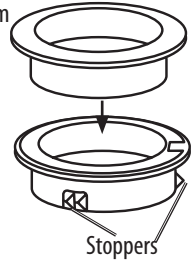
## USER PRECAUTIONS

**⚠️ FOR MICROWAVE USE ONLY - DO NOT EXPOSE TO DIRECT FLAME - DO NOT USE WITH OVENS**

- Always place one hand on the lid when pouring. A teabag inside the server could hit the lid causing the lid to come off and the liquid to spill.



- The sealant may be removed from the glass lid. When replacing the sealant to the glass lid, place the stopper side of the lid down and attach the glass lid.
- The markings on the server do not show cup quantity. The markings on the server are capacity indicators, these indicators may differ from actual quantity. Use these as a reference only.
- Always attach and remove the lid on a flat surface.
  - To attach the glass lid (with sealant) to the glass server always place the air hole to the opposite side of the spout as shown. If not attached correctly the liquid may be hard to pour or cause spillage.



## HANDLING PRECAUTIONS

- ONLY use a microwave to heat the server. DO NOT use any other heating equipment.



Microwave ONLY



NO Direct Flames

- Handle glassware with extreme care.
- Keep the glass server away and out of reach of children. Do not allow children to use the server, it is not a toy.

- DO NOT use server if it is cracked, chipped or highly scratched. A damaged server could break unexpectedly.
- Do not use a metal spoon or object in server. A metal object hitting the sides of the glass server may cause breakage.



DO NOT use if damaged

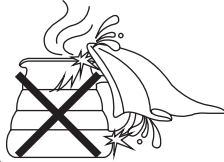


DO NOT hit sides

- Do not touch the glass server with a wet cloth or place it on a wet surface while hot. The sudden change in temperature may cause the glass to break.



DO NOT touch to a wet surface or wet towel



- If the glass server breaks be very careful when handling chipped or broken glass. Follow your local regulations for disposal.

## HANDLING PRECAUTIONS- MICROWAVE OVEN

- Read the microwave oven instruction manual before using the glass server.
- Use the glass server to reheat and serve drinks such as coffee and tea.

**⚠** Water may suddenly boil over when heated too quickly. DO NOT place hands or face near the glass server when removing it from the microwave oven.



- Always wipe water from the exterior of the glass server before placing in microwave oven.



- Never heat the glass server when it is empty or with only a small amount of liquid.
- Place the glass server with the lid assembled in the center of the microwave turn table. This will warm the liquid more efficiently.
- The glass server will be very hot after heating in the microwave.

- Do not touch with bare hands. Always use oven mitts when carrying the server. Hold the server handle and server firmly when carrying.



- Do not place the hot server onto non-heat resistant surfaces such as plastic table cloths. Place the hot server onto a potholder to protect the surface.

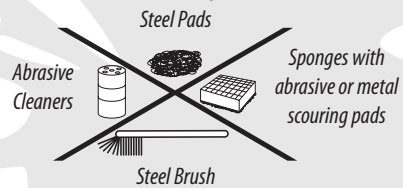
## PRODUCT CARE

**⚠** Clean with a soft sponge and mild dish washing soap.



**⚠** DO NOT use sponges with abrasive, metal scouring pads or metal brushes these may damage the glass server.

DO NOT use abrasive cleaners, they may damage or scratch the surface of the glass server.



- Diluted household bleach may be used to clean tough stains on the glass server. Always follow the household bleach instructions carefully and wash the glass server thoroughly after using bleach.

**SAVE ALL WARNINGS AND INSTRUCTIONS  
FOR FUTURE REFERENCE**

## Questions?

Visit us on the web at [www.bluebrewcoffee.com](http://www.bluebrewcoffee.com) or Call 847-393-7121

Blue Brew • Waukegan, IL 60087 • USA

[www.bluebrewcoffee.com](http://www.bluebrewcoffee.com)