

# POWERTEC®

## Dust Separator Kit



### WARNING

For your own safety, read and understand all warnings and operating instructions before using any tool or equipment.

You must be familiar with the use of any tool or accessory used with this kit. The supplier cannot be held responsible for any accident, injury or damage incurred while using this kit with any tool or accessory.

- Always wear proper protective equipment such as eye, hearing, or respiratory protection.
- Do not vacuum near flammable or combustible gas, fluids, or explosive materials, which may pose a risk of fire or explosion.
- Do not use on toxic materials.
- Do not use on materials that are thought to be hot or smoldering, or anything that is burning or smoking.
- Do not operate this tool or any machinery while under the influence of drugs, alcohol, or medications.

### WARNING

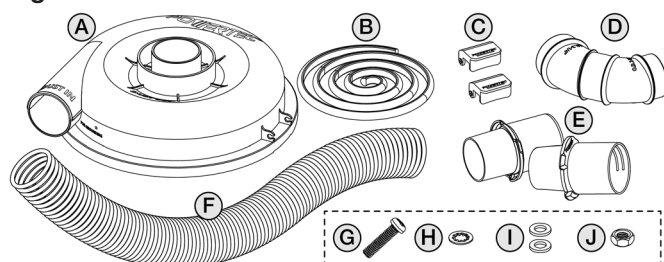
Drilling, sawing, sanding or machining wood products can expose you to wood dust, a substance known to the State of California to cause cancer. Avoid inhaling wood dust or use a dust mask or other safeguards for personal protection. For more information go to [www.P65Warnings.ca.gov/wood](http://www.P65Warnings.ca.gov/wood).

## UNPACKING CONTENTS

**NOTE:** Check for shipping damage. Check immediately whether all parts and accessories are included.

ITEM	DESCRIPTION	QTY
A	Chamber/Separator Plate Assembly	1
B	Gasket	1
C	Latches	2
D	90° Elbow (2-1/4" ID/ 2-1/4" OD)	1
E	Hose Connector	2
F	Hose (3 ft)	1
G	M4 Screw (for Grounding)	1
H	M4 Lock Washer (for Grounding)	1
I	M4 Flat Washer (for Grounding)	2
J	M4 Nut (for Grounding)	1

Figure 1



The **Powertec 72295 Dust Separator Kit** is designed to collect wood dust. Do not use this kit to collect metal materials such as screws, nails or other metal parts.

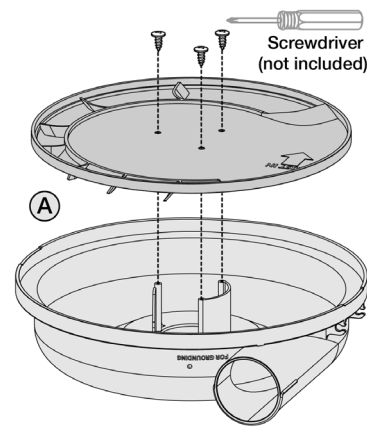
### Tools needed (not included):

- Screwdriver • 7mm or 9/32" wrench • Drill • Drill Bit (#16 or 4.5mm)

### WARNING

Risk of static shock. Connecting to a ground source (wire and terminal not included) helps prevent the build up of static electricity. Use proper grounding and caution during the collection and disposal of collected dust and debris. It is the user's responsibility to ensure their system is properly grounded.

Figure 2

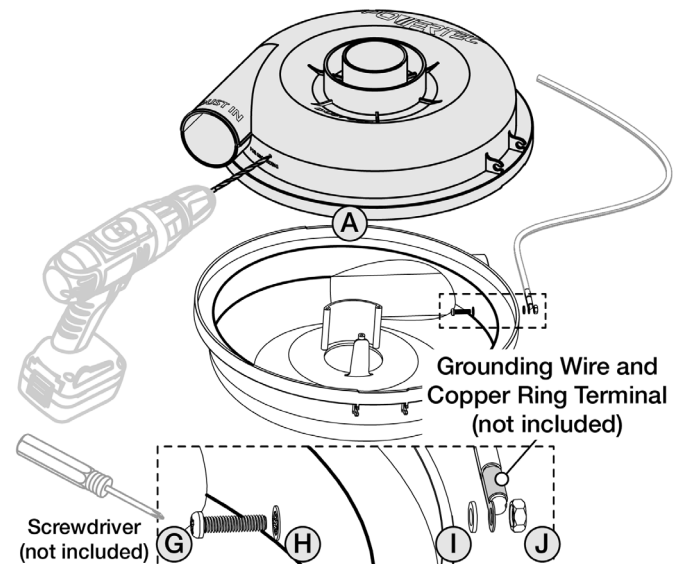


### Remove Separator Plate

- Remove the 3 preinstalled self-tapping screws using a screwdriver (not included) and remove the separator plate.

Figure 3

### Connect Grounding Wire



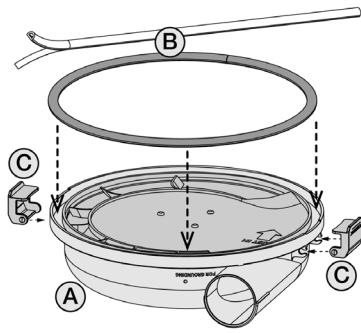
- Drill a pilot hole using drill with #16 or 4.5mm Drill Bit (not included).
- From inside of Chamber, thread M4 Screw (G) through Lock Washer (H), hole in Chamber, Flat Washer (I), eyelet of grounding wire (not included) and M4 Nut (J). Tighten the Nut using a 7mm or 9/32" wrench (not included).

**NOTE:** Use the 2 Flat Washers included to securely affix the grounding wire without an eyelet in-between.

### Re-install Separator Plate

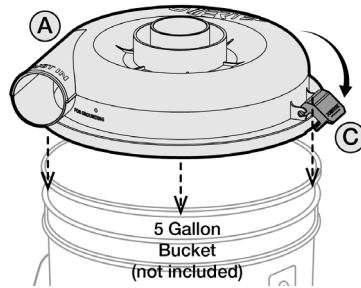
- Insert and fasten the 3 self-tapping screws using a screwdriver.

# ASSEMBLY



**Figure 4**  
**Install Gasket (B) and Latches (C)**

- Peel backing off Gasket (C) a little at a time and press to seal in place into outer ridge of Chamber (A).
- Snap Latches (C) into grips located on sides of Chamber (A).



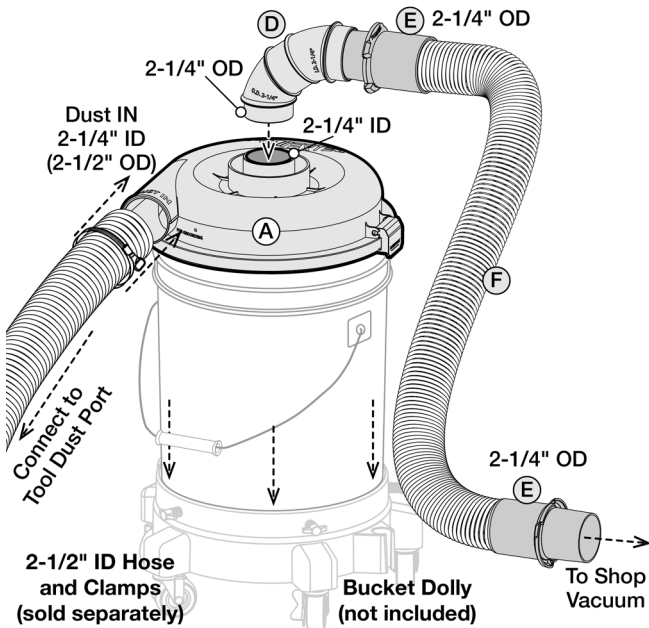
**Figure 5**  
**Install Chamber (A) Lock Latches (C)**

- Position Chamber (A) onto a 5 gallon bucket (commonly found at most home supply stores, not included) and hold in place by pushing Latches (C) into locking position.

**NOTE:** The latches may provide a temporary hold. Chamber and bucket will be firmly secured when vacuum source is activated.

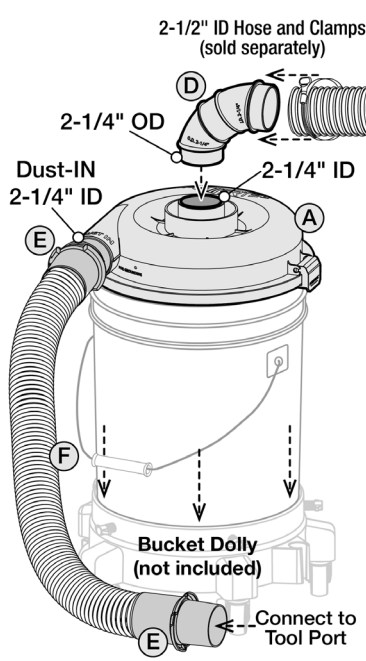
## CONNECTION SETUPS

**Figure 6** **Example Setup 1:**  
**2-1/2" OD Tool Port to Shop Vacuum**



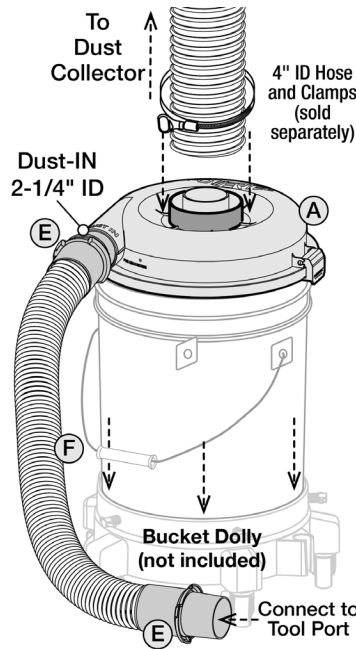
**NOTE:** The included 90° Elbow (D), designed to change the direction of flow, has two different ends, marked 2-1/4" OD and 2-1/4" ID.

- Attach the original vacuum hose/adaptor, or a 2-1/2" ID hose and clamps (sold separately) to the 2-1/2" OD port of the tool and the 2-1/2" OD of the Dust IN port on Chamber (A). Secure 2-1/2" ID hose with clamps on each end.
- Attach 2-1/4" OD end of 90° Elbow (D) to 2-1/4" ID port on top of Chamber (A).
- Thread both Hose Connectors (E) onto Hose (F)—attach one end to 90° Elbow (D)—other end to Shop Vacuum.
- For ease of maneuvering, set assembly into a bucket dolly (not included).



**Figure 7**  
**Example Setup 2:**  
**2-1/4" ID Port to 2-1/2" OD Dust Collector**

- Attach 90° Elbow (D) to top 2-1/4" port on Chamber (A)—attach a 2-1/2" ID hose and clamps (sold separately), one end to 90° Elbow (D)—other end to dust collector. Secure hose with clamps on each end.
- Thread both Hose Connectors (E) onto Hose (F)—attach one end to 2-1/4" ID Dust-IN port on Chamber (A)—other end to tool dust port.
- For ease of maneuvering, set assembly into a bucket dolly (not included).



**Figure 8**  
**Example Setup 3:**  
**2-1/4" ID Port to 4" OD Dust Collector**

- Attach a 4" ID hose and clamps (sold separately), one end to the 4" OD port on Chamber (A)—other end to dust collector. Secure hose with clamps on each end.
- Thread both Hose Connectors (E) onto Hose (F)—attach one end to 2-1/4" ID Dust-IN port on Chamber (A)—other end to tool dust port.
- For ease of maneuvering, set assembly into a bucket dolly (not included).

**NOTE:** Inspect parts periodically for any conditions that may affect the Kit's operation. If damaged, replace with identical replacement parts.

## GENERAL MAINTENANCE

### ⚠ WARNING

When servicing, use only identical replacement parts. Use of any other parts may create a hazard or cause product damage. To ensure safety and reliability, all repairs should be performed by a qualified service technician.

### ⚠ WARNING

Keep the Dust Separator Kit dry, clean, and free from oil and grease. Always use a clean cloth when cleaning. Never use brake fluids, gasoline, petroleum-based products or any strong solvent to clean the Dust Separator Kit. Chemicals can damage, weaken or destroy plastic which may result in serious personal injury.

Visit us on the web at [www.powertecproducts.com](http://www.powertecproducts.com)



Put these instructions and the original sales invoice in a safe, dry place for future reference.

Southern Technologies, LLC • Chicago, IL 60606