

INSTRUCTION SHEET

POWERTEC®

Surface Mounted Bed Rail Brackets

MODEL NO. 71425

NOTE: Assemble these brackets to 6" or wider bed rails. DO NOT assemble to bed rails smaller than 5".

PACKAGING CONTENTS

4 - Sets of Brackets

2 - #1 Male Brackets to be used with
2 - Female Brackets

2 - #2 Male Brackets to be used with
2 - Female Brackets

NOTE: The male brackets are stamped with a #1 or a #2.

16 - Flat Head Wood Screws 5/8" #8

16 - Flat Head Wood Screws 1-1/4" #8

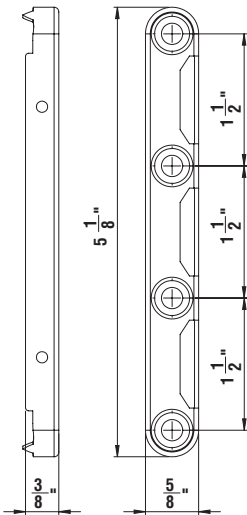


These brackets are assembled to the inside of the bed rails, making them invisible when viewing the bed from the outside.

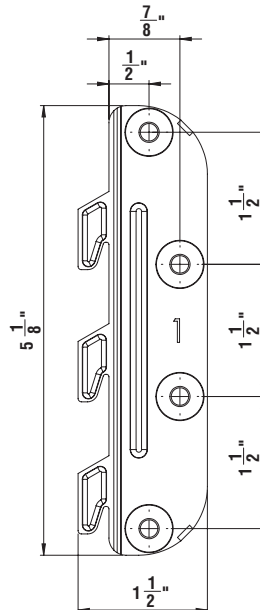


These brackets are not recommended to be used on bunk beds.

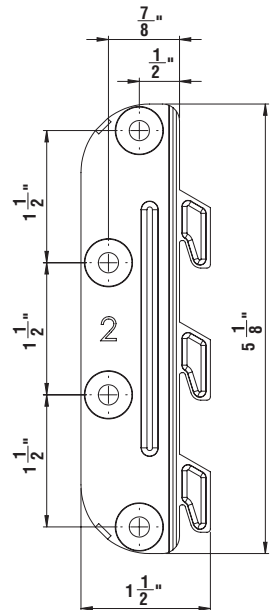
SPECIFICATIONS



Female Brackets



#1 Male Brackets



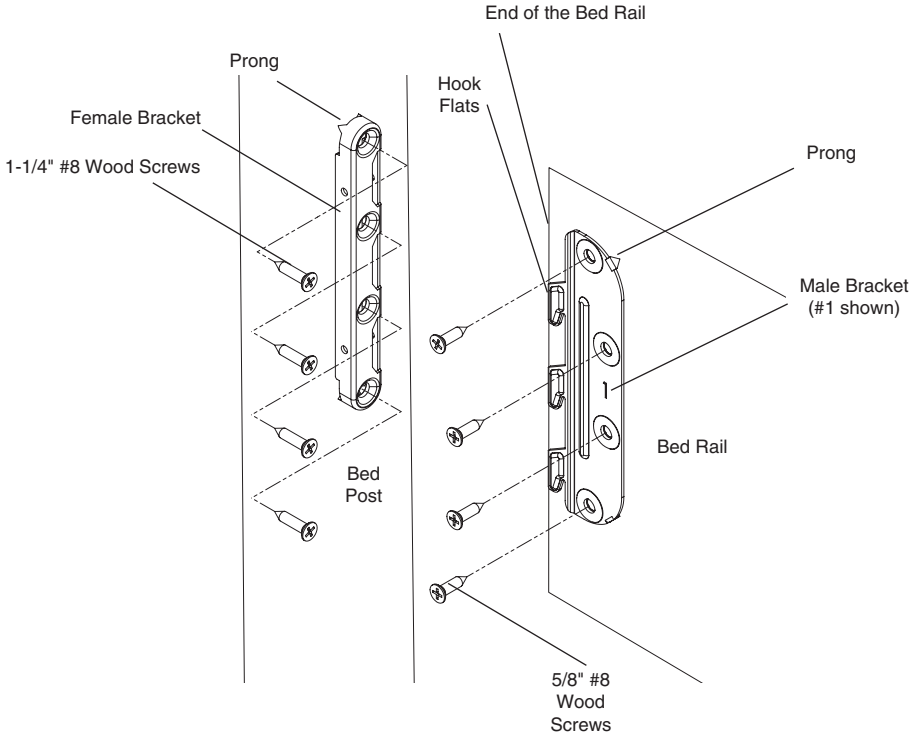
#2 Male Brackets

ASSEMBLY

Each rail requires a #1 and a #2 set of brackets.

The bed rail MUST be wider than 5".

1. With the number on the male bracket facing toward you and the hooks facing down, vertically center it to the inside face of the bed rail. Make sure the flats of the hooks are even with the end of the bed rail.
2. Hold bracket in place and mark the holes to be drilled.
3. Drill the pilot holes in the bed rail.
4. Align the male bracket with the holes and use a wood block and hammer to drive the prongs into the bed rail.
5. Attach the male bracket to the bed rail end with the 5/8" #8 wood screws.
6. Locate the position for the female bracket on the bed post. Hold the bracket in place and mark the holes to be drilled.
7. Drill the pilot holes in the bed post.
8. Align the female bracket with the holes and use a wood block and hammer to drive the prongs into the bed post. Use the 1-1/4" #8 wood screws to secure the bracket to the bed post.
9. Repeat for other sets of brackets.



Visit us on the web at powertecproducts.com



Put these instructions and the original sales invoice in a safe, dry place for future reference.

Southern Technologies, LLC
Waukegan, IL 60087

19-0603