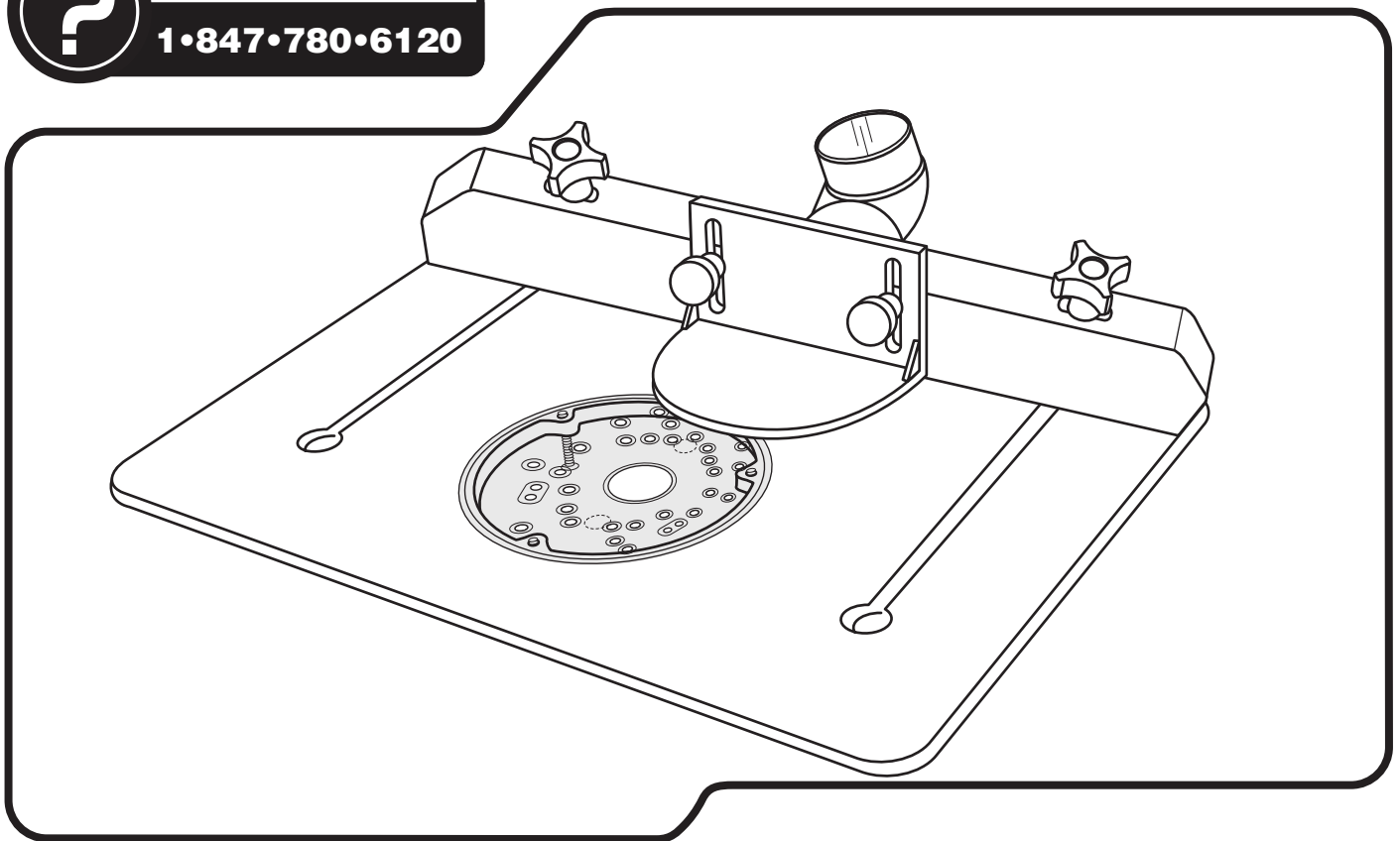


Owner's Manual

POWERTEC

Trim Router Table







Visit us on the web at powertecproducts.com



You will need this manual for safety instructions, operating procedures, and warranty. Put it and the original sales invoice in a safe, dry place for future reference.

TABLE OF CONTENTS

SECTION	PAGE
 SAFETY RULES	1
 ASSEMBLY	2
Unpacking Assemble Fence, Dust Port and Table Assembly the Trim Router Base Installing Router in Table	
 MAINTENANCE	4
General Maintenance	
 WARRANTY	5

PRODUCT SPECIFICATIONS

Dimensions

Table Top	11-1/2" x 15-1/2" x 3/4"
Bit Guard	3" x 5"
Fence	15-1/2" x 2-11/16" x 1-1/2"

SAFETY RULES



1

WARNING

For your own safety, read all of the rules and precautions before operating tool.

WARNING

Always follow proper operating procedures as defined in this manual even if you are familiar with use of this trim router table or any tool used with this trim router table. Remember that being careless for even a fraction of a second can result in severe personal injury.

Before using another tool with this product, always read, understand and follow the instructions and safety warnings in the owner's manual for that tool. If you do not have the owner's manual, obtain one from the tool's manufacturer before using it with this product.

You must be familiar with the use of any tool or accessory used with this trim router table. The supplier cannot be held responsible for any accident, injury or damage incurred while using this trim router table with any tool.

It is the purchaser of this product is responsible to ensure that any person using this product reads and complies with all instructions and safety precautions outlined in this manual prior to use.

WARNING

Some dust created by operation of power tool contains chemicals known to the State of California to cause cancer, birth defects or other reproductive harm. To reduce your exposure to these chemicals, work in a well ventilated area and work with approved safety equipment. Always wear OSHA/NIOSH approved, properly fitting face mask or respirator when using such tools.

CAUTION

Do not modify or use this trim router table for any application other than that for which it was designed.

FOLLOW ALL STANDARD SHOP SAFETY PRECAUTIONS, INCLUDING:

- Keep children and visitors at a safe distance from work area.
- Keep work area clean. Cluttered work areas invite accidents. Work area should be properly lit.
- Do not use power tools in dangerous environments. Do not use power tools in damp or wet locations. Do not expose power tools to rain.
- Wear proper apparel. Do not wear loose clothing, gloves, neckties, rings, bracelets or other jewelry which may get caught in moving parts of the tool.
- Wear protective hair covering to contain long hair.
- Wear safety shoes with non-slip soles.
- Wear safety glasses complying with United States ANSI Z87.1. Everyday glasses have only impact resistant lenses. They are NOT safety glasses.
- Wear face mask or dust mask if operation is dusty.

- Be alert and think clearly. Never operate power tools when tired, intoxicated or when taking medications that cause drowsiness.
- A guard or any other part that is damaged should be properly repaired or replaced. Do not perform makeshift repairs.
- Use the right tool for your job. Do not force your tool to do a job for which it was not designed.
- Use safety equipment such as featherboards, push sticks and push blocks, etc., when appropriate.
- Maintain proper footing at all times and do not overreach.

WARNING

- This trim router table **MUST** be clamped securely to a stationary support or attached to a cleat (using the pre-drilled cleat mounting holes) and clamped securely to a stationary support. Failure to properly secure the table could result in serious injury and property damage.
- To avoid serious injury, turn off and unplug the router before attaching the router base, changing accessories or adjusting the cutter height/fence position.

CAUTION

Think safety! Safety is a combination of operator common sense and alertness at all times when tool is being used.

WARNING

Do not use the trim router table until it is completely assembled and you have read and understood this entire operating manual and the operating manual of the tool being used with this trim router table.

SAVE ALL WARNINGS AND INSTRUCTIONS FOR FUTURE REFERENCE



1

2

ASSEMBLY

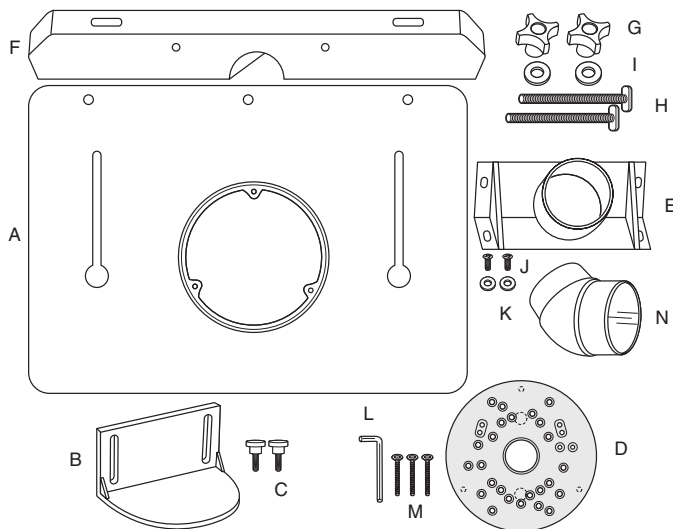
UNPACKING

Refer to Figure 1

Check for shipping damage. Check immediately whether all parts and accessories are included.

ITEM	DESCRIPTION	QTY
A	Router table top	1
B	Bit guard	1
C	Bit guard knobs	2
D	Universal trim router base (Powertec 71381)	1
E	Router dust port (Powertec 70152)	1
F	Router table fence	1
G	Fence lock knobs	2
H	T-Bolts 5/16"-18 x 4"	2
I	Washers 5/16"	2
J	M4 x 10 mm pan head screws	2
K	Washers 1/4"	2
L	Hex wrench 3 mm	1
M	Leveling screws 1" (hex head)	3
N	45 Degree elbow (2-1/2")	1

Figure 1



WARNING

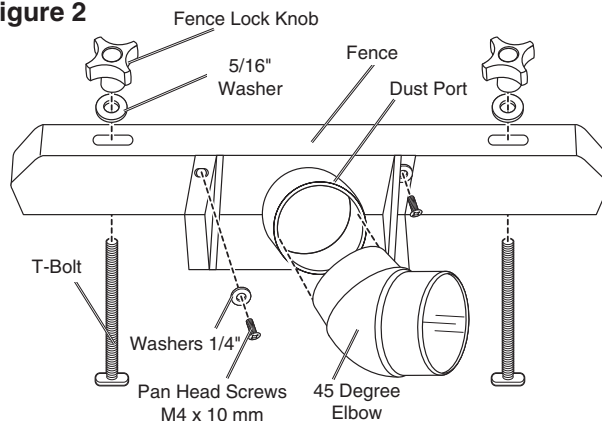
Do not use the trim router table until it is completely assembled and you have read and understood this entire operating manual and the operating manual of the tool being used with this trim router table.

ASSEMBLE FENCE, DUST PORT AND TABLE

Refer to Figure 2–6

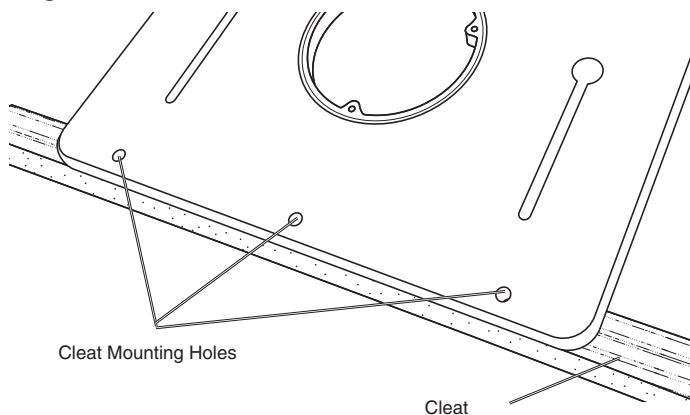
- From the underside of the fence, insert the two T-Bolts up and through the holes on each end the fence. Place a 5/16" washer on each T-Bolt and then thread on the fence lock knobs. Do not tighten the knobs.
- Attach the Powertec 70152 dust port to the back of the fence using the pan head screws and 1/4" washers. Slide the 45 degree elbow into the dust port.
NOTE: The elbow has a 2-1/2" OD opening and is designed to work with 2-1/2" ID dust collection hoses.

Figure 2



- Optional mounting:** The trim router table may be attached to a longer board or cleat for clamping to a stationary work surface. If using this method, add the cleat now. There are pre-drilled cleat mounting holes at the rear of the trim router table. Drive #8 screws through the three cleat mounting holes and into the cleat. **NOTE:** The screw length should be the thickness of the trim router table plus the cleat)

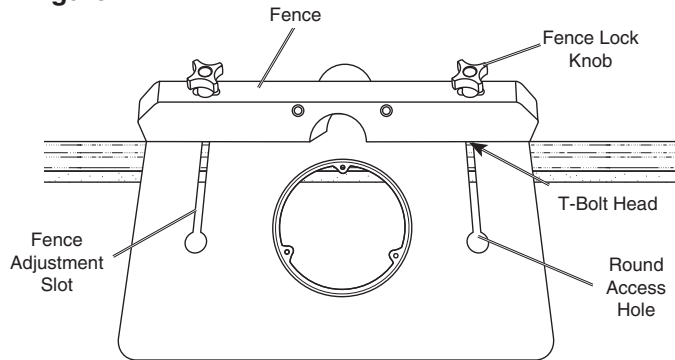
Figure 3



- Install the fence to the table. Make sure the T-Bolt heads extend down far enough to fit into the fence adjustment slots in the table. Insert the T-Bolt heads into the round access holes in the tabletop, engage the heads in the stepped slots on the underside of the table and slide the fence toward the back.

NOTE: To adjust the fence, loosen the knobs, slide the fence to the desired application and tighten knobs.

Figure 4



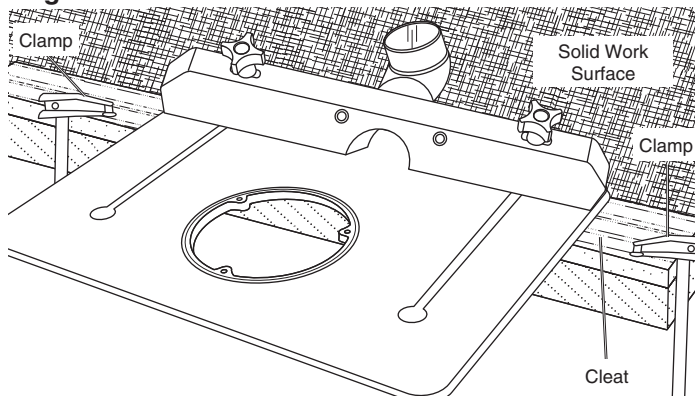
WARNING

The trim router table **MUST** be clamped or attached directly to a stationary work surface **BEFORE** operating the router. Figure 5 shows the trim router table with cleat clamped to a stationary work surface.

5. **Clamp or Attach the Table to Stationary Work Surface:**

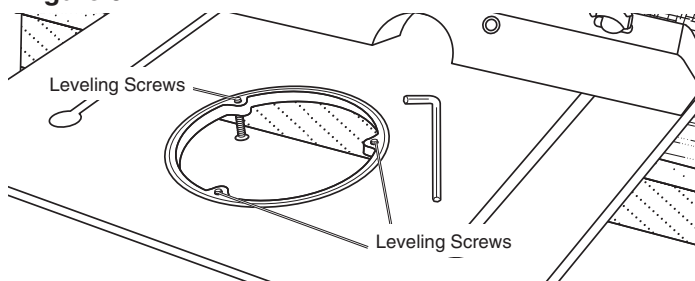
- a. If the cleat was assembled earlier, clamp it to the edge of a bench, table, piece of plywood or other stationary work surface.
- b. The table may be attached directly to a stationary work surface. Drive #8 screws through the three cleat mounting holes and into the stationary work surface. **IMPORTANT:** The screw length will be determined by the work surface thickness. The general rule is for the screw to enter at least half the thickness of the bottom material/work surface.

Figure 5



- 6. Install the three leveling screws from the bottom into the holes on the lip of the opening in the table. **NOTE:** These screws are used to make the router base flush with the face of the tabletop. These screws will also register the three stopped holes in the underside of the trim router base to keep it from shifting during use.

Figure 6



ASSEMBLY THE TRIM ROUTER BASE

WARNING

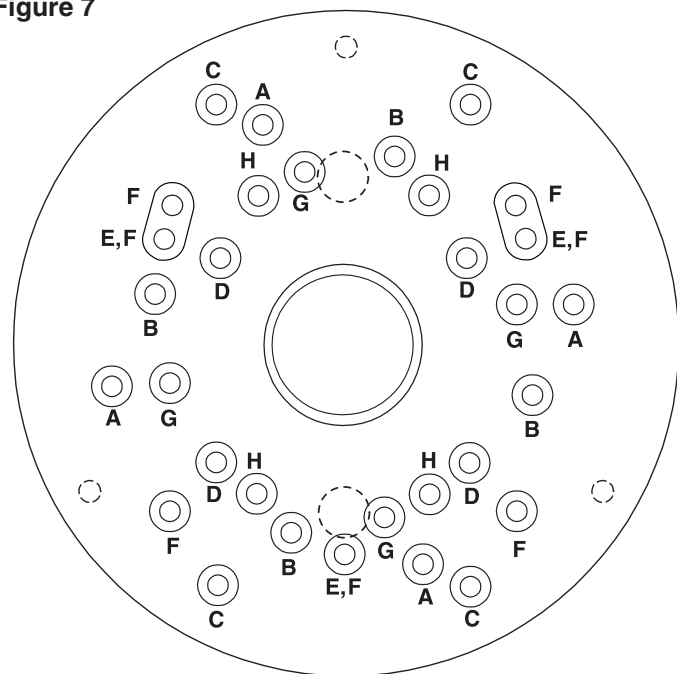
To reduce the risk of injury, turn router off and disconnect it from power source before installing and removing accessories. An accidental start-up can cause injury.

NOTE: This clear router plate provides better visibility and when used with a PORTER-CABLE style guide bushing (sold separately) it allows a bit to follow the path intended by a template or jig.

NOTE: The trim router base can be left on the router, allowing it to be taken from table routing to hand held routing without switching baseplates.

1. Remove the existing router plate and all related hardware from the router.
2. On the chart find the model and the corresponding letter for your router.
3. Find the corresponding letters for your router in Figure 7. **NOTE:** Some routers have more than one option.
4. Place the universal router plate onto the router and line up the first letter with the appropriate hole and then rotate the plate until all holes in the pattern line up. Install and tighten the machine screws.

Figure 7

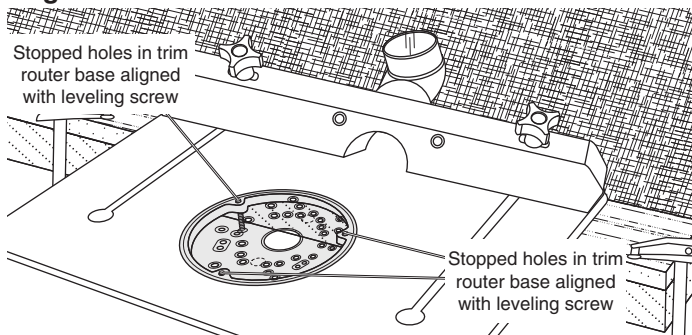


DeWALT*		* PORTER-CABLE, DeWALT and Craftsman are trademarks of The Black & Decker Corporation/ Bosch is a trademark of the Robert Bosch Tool Corporation/ Makita is a trademark of Makita Corporation/ Ryobi is a trademark of RYOBI, LTD.
DWP611PK	A Fixed Base	
	B Plunge Base	
Makita*		
RT0701CX7	C Plunge Base	
	D Fixed Base	
Bosch*		
GKF125CEN	E	
PR110	F	
PR10E/PR20EVS	F	
Ryobi*		
P601	G	
PORTER-CABLE*		
PCE6435	H	

INSTALLING ROUTER IN TABLE

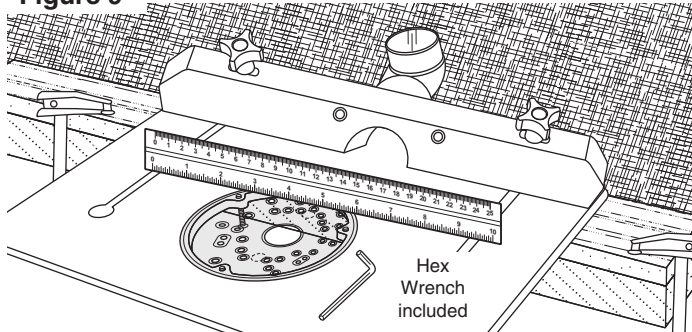
1. Loosen the fence locking knobs and slide the fence back on the tabletop to access the opening in the tabletop.
2. From the top of the table, lower the router with trim router base into the opening, align the three stopped holes on the underside of the router base with the three leveling screws.

Figure 8



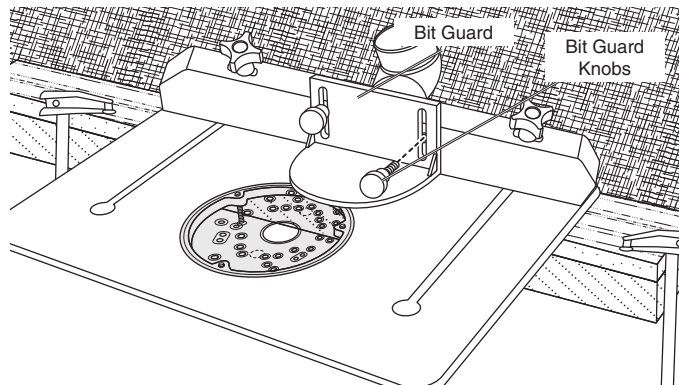
Use a straight edge to verify the trim router base is flush with the tabletop. If it is not flush, adjust the leveling screws until the router base plate is flush with the tabletop. Make sure the leveling screws are seated in the three stopped holes on the underside of the router base to prevent the base from shifting during use.

Figure 9



3. Attach the bit guard to the front of the fence using the bit guard knobs.
NOTE: To adjust the bit guard, loosen the knobs, slide the bit guard up and down to desired application and tighten knobs.
4. Adjust the fence to the desired application and tighten the locking knobs.
5. Attach the dust extraction hose to the dust port.

Figure 10



WARNING

The trim router table **MUST** be clamped in place or attached directly to a solid mounting surface **BEFORE** operating the router. Figure 5 shows the trim router table with cleat clamped into place.

4



MAINTENANCE

GENERAL MAINTENANCE

WARNING

When servicing, use only identical replacement parts. Use of any other parts may create a hazard or cause product damage. To ensure safety and reliability, all repairs should be performed by a qualified service technician.

WARNING

Keep the trim router table dry, clean, and free from oil and grease. Always use a clean cloth when cleaning. Never use brake fluids, gasoline, petroleum based products or any strong solvent to clean the trim router table. Chemicals can damage, weaken or destroy plastic which may result in serious personal injury.

Trim Router Base

- Carnauba wax may be applied to the universal router plate to reduce scratching and make it slide easier. If scratching does occur, carefully polish with plastic polish until the scratches are removed.

4



Thank you for investing in a **POWERTEC** power tool. This product has been designed and manufactured to meet high quality standards and is guaranteed for domestic use against defects in workmanship or material for a period of 12 months from the date of purchase. This guarantee does not affect your statutory rights.

SOUTHERN TECHNOLOGIES LLC. BENCH TOP AND STATIONARY POWER TOOL LIMITED 1 YEAR WARRANTY AND 30-DAY SATISFACTION GUARANTEE POLICY

POWERTEC products are designed and manufactured by **Southern Technologies LLC**. All warranty communications should be directed to **Southern Technologies LLC** by calling 847-780-6120, 9 AM to 5 PM, Monday through Friday, US Central Time.

30- DAY SATISFACTION GUARANTEE POLICY

During the first 30 days after the date of purchase, if you are dissatisfied with the performance of this **POWERTEC** tool for any reason, you may return the tool to the retailer from which it was purchased for a full refund or exchange. You must present proof of purchase and return all original equipment packaged with the original product. The replacement tool will be covered by the limited warranty for the balance of the one year warranty period.

LIMITED ONE YEAR WARRANTY

This warranty covers all defects in workmanship or materials in this **POWERTEC** tool for a one year period from the date of purchase. This warranty is specific to this tool. **Southern Technologies, LLC** reserves the right to repair or replace the defective tool, at its discretion.

HOW TO OBTAIN SERVICE

To obtain service for this **POWERTEC** tool you must return it, freight prepaid, to **POWERTEC**. You may call 847-780-6120 for more information. When requesting warranty service, you must present the proof of purchase documentation, which includes a date of purchase. **POWERTEC** will either repair or replace any defective part, at our option at no charge to you. The repaired or replacement unit will be covered by the same limited warranty for the balance of one year warranty period.

WHAT IS NOT COVERED

This warranty applies to the original purchaser at retailer and may not be transferred.

This warranty does not cover consumable items such as saw blades, knives, belts, discs, cooling blocks and sleeves. This warranty does not cover required service and part replacement resulting from normal wear and tear, including accessory wear.

This warranty does not cover any malfunction, failure or defect resulting from:

- 1) misuse, abuse, neglect and mishandling not in accordance with the owner's manual.
- 2) damage due to accidents, natural disasters, power outage, or power overload.
- 3) commercial or rental use.
- 4) alteration, modification or repair performed by persons not recommended by **POWERTEC**.

DISCLAIMER

To the extent permitted by applicable law, all implied warranties, including warranties of **MERCHANTABILITY** or **FITNESS FOR A PARTICULAR PURPOSE**, are disclaimed. Any implied warranties, that cannot be disclaimed under state law are limited to one year from the date of purchase. **Southern Technologies LLC**. is not responsible for direct, indirect, incidental or consequential damages. Some states do not allow limitations on how long an implied warranty lasts and/or do not allow the exclusion or limitation of incidental or consequential damages, so the above limitations may not apply to you. This warranty gives you specific legal rights, and you may also have other rights which vary from state to state. **Southern Technologies LLC**., makes no warranties, representations, or promises as to the quality or performance of its power tools other than those specifically stated in this warranty.

POWERTEC®

Southern Technologies, LLC
Waukegan, IL 60087