

POWERTEC**Miter Gauge**

The POWERTEC 71005 Deluxe Table Saw Miter Gauge can be used with any table saw with 3/8" x 3/4" miter slots. It features:

- 11 adjustable positive stops
- An adjustable guide bar to eliminate any side to side play in the miter slot
- A large handle for comfort and control.
- A plate, at the end of the guide bar, is provided for use in table saws with T-slotted miter slots. This plate needs to be removed when used in saws without T-slotted miter gauge slots.
- Holes are provided in the miter gauge body to attach a wood facing, if needed.

Assembly

- Place the hole in the bottom of the miter gauge body onto the post on the guide bar, make sure the indexing pin is on the 90° detent.
- Place washer onto handle threads and thread the handle onto the miter gauge guide bar.

WARNING

Risk of accidental starting and serious personal injury. Unplug the machine before attaching the miter gauge.

Adjust Miter Gauge to Table Miter Slot

- Place the miter gauge into the table miter slot.
- Slide the miter gauge back and forth in the miter slot. If the miter gauge guide bar moves freely through the miter slot and has no side to side play, no adjustment is needed.

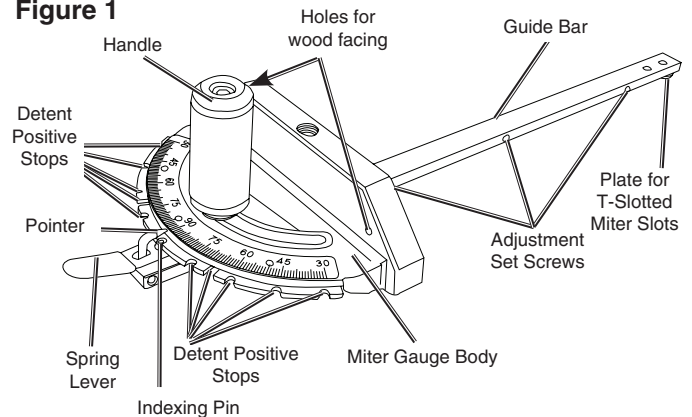
If the miter gauge guide bar is too tight in the miter slot or has excessive side to side play, adjustment is needed.

To Adjust:

- Turn the adjustment screws clockwise to tighten the fit and counterclockwise to loosen the fit of the guide bar in the miter slot. Use a hex wrench (not supplied).

To Operate

- Loosen handle and press down on the spring lever to disengage indexing pin. Hold down the spring lever and rotate the miter gauge body to desired detent (11 positive stops 90° or 15°, 22-1/2°, 30°, 45°, 60° left or right). Release lever and tighten handle knob.

Figure 1

Visit us on the web at www.southerntechllc.com



Put these instructions and the original sales invoice in a safe, dry place for future reference.

Southern Technologies, LLC
3816 Hawthorn CT,
Waukegan, IL 60087